

# SMART CONDO LOCK

- Convenient
- Safety
- Multi-function



Bluetooth Unlock



LISTED



929SS-M  
Stainless steel

## PARAMETER

- **Material** : IML + Stainless Steel
- **Unlock Way** : Password/Mechanical Key/Card/APP
- **Keypad Type** : 12 Digital Touch Keypad
- **User** : Maximum 50 Password Users/250 Card Users
- **Power Supply** : 4pcs AAA 1.5V Alkaline Batteries /USB Emergency Recharge
- **Static Consumption** : 12uA
- **Dynamic Consumption** : 300mA
- **Mortise** : Europe 85/72 mortise, 6# mortise, 3# mortise, ANSI



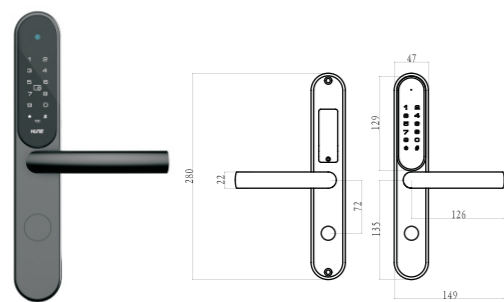
Bluetooth Unlock



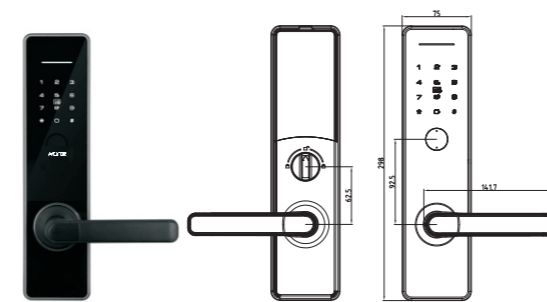
918TCP-86-M  
Golden&Black

## PARAMETER

- **Material** : Aluminum Alloy
- **Unlock Way** : Password/Mechanical Key/Card/APP
- **Keypad Type** : 12 Digital Touch keypad
- **Scramble Keyword** : 25 in Maximum
- **User** : 50 Password Users , 230 Card Users , Total Users Capacity : 230 Users
- **Power Supply** : 4pcs AA 1.5V Alkaline Batteries/External emergency power 5V micro-usb socket
- **Mortise** : ANSI Standard Mortise



929TW-M  
Black PVD



929TW-86-M  
Black



www.hunelock.com



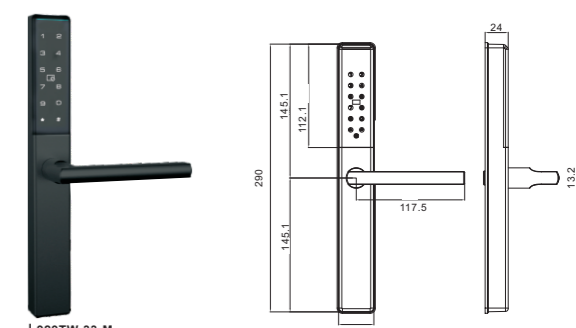
Bluetooth Unlock



929SS-33-M  
Stainless steel

## PARAMETER

- **Material** : IML + Stainless Steel
- **Unlock Way** : Password/Mechanical Key/Card/APP
- **Keypad Type** : 12 Digital Touch Keypad
- **User** : Maximum 50 Password Users/250 Card Users
- **Power Supply** : 4pcs AAA 1.5V Alkaline Batteries
- **Static Consumption** : 12uA
- **Dynamic Consumption** : 300mA
- **Mortise** : Standard Europe 85/72 mortise, 6# mortise, ANSI



929TW-33-M  
Black PVD



Bluetooth Unlock



918SL-88-M  
Chrome Color



Bluetooth Unlock



930SS-62-M  
Stainless steel



Bluetooth Unlock



918TCP-32-M  
Golden Color



Scramble To Avoid Peeking



918SS-62A-M  
Stainless steel

PARAMETER

- **Material :** Zinc Alloy
- **Unlock Way :** Password/Card/Bluetooth/Mechanical Key
- **Keypad Type :** 12 Digital Touch Keypad
- **User :** 50 Password Users , Total Users Capacity : 230 Users
- **Power Supply :** 4pcs AAA 1.5V Alkaline Batteries /
- **Mortise :** Europe 5050/6072, ANSI, Single Latch

PARAMETER

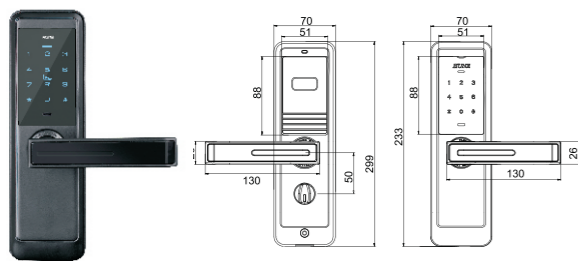
- **Material :** Stainless Steel
- **Unlock Way :** Password/Mechanical Key/Card/APP
- **Keypad Type :** 12 Digital Touch Keypad
- **Scramble Keyword :** 25 in Maximum
- **User :** 50 Password Users , 230 Card Users , Total Users Capacity: 230 Users
- **Power Supply :** 4pcs AA 1.5V Alkaline Batteries
- **Mortise :** ANSI Mortise

PARAMETER

- **Material :** Aluminum Alloy
- **Unlock Way :** Password/Mechanical Key/Card/APP(Optional)
- **Keypad Type :** 12 Digital Touch Keypad
- **Scramble Keyword :** 25 in Maximum
- **User :** 50 Password Users , 230 Card Users , Total Users Capacity : 230Users
- **Power Supply :** 4pcs AA 1.5V Alkaline Batteries/External emergency power 5V, micro-usb socket
- **Mortise :** 6052 Standard Mortise

PARAMETER

- **Material :** Stainless Steel
- **Unlock Way :** Fingerprint/Password/Mechanical Key/APP/Card
- **Keypad Type :** 12 Digital Touch Keypad
- **Type of fingerprint sensor :** Semiconductor Fingerprint Reader
- **User :** 55 Fingerprint Users , 55 Password Users , 55 Card Users, 120 ID Users , Total Users : 285 Users
- **Power Supply :** 4pcs AA 1.5V Alkaline Batteries
- **Display Screen :** 0.96OLED Screen
- **Mortise :** China Standard K2 Mortise

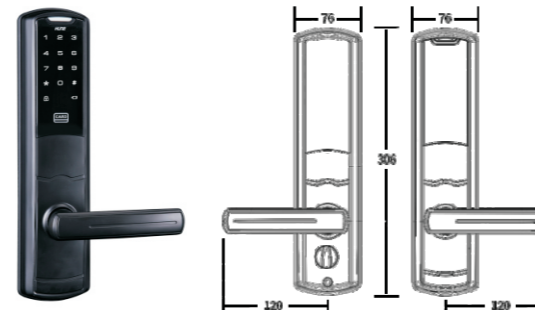
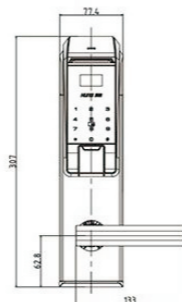


918TW-88-M  
Black Color

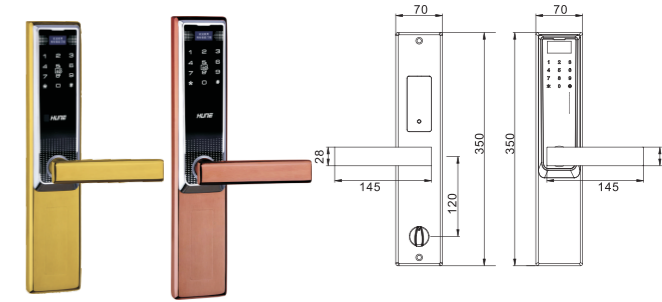


930MB-62-M  
Dark Copper

930BP-62-M  
Golden PVD



918TW-32-M  
Black Color



918BP-62A-M  
Golden PVD

918MB-62A-M  
Dark Copper