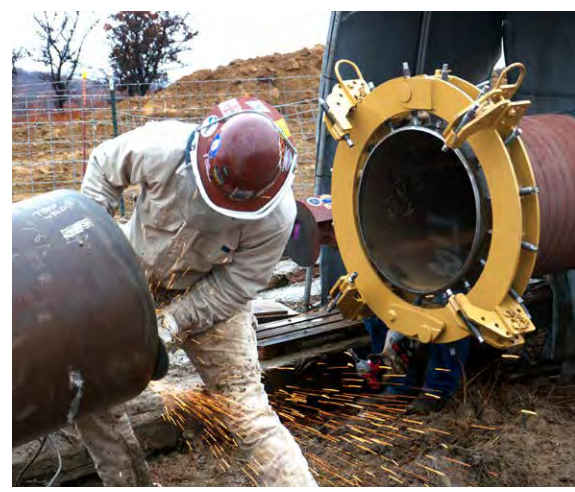




**SAWYER**  
MFG COMPANY











# CONTENTS

Beveling Equipment	1-6
Cold Cutting	7-8
Welding Tools	9-13
Internal Clamps	14-16
External Clamps	17-24
Weld Testing	25-28
Pipe Lifting	29-30
Auxiliary Equipment	31-32
Pipe Stands	33-36
Pipe Bending	37-38
Repair/Supports	39
Fabrication	40





# BEVELING EQUIPMENT

Sawyer beveling equipment is designed for quick, easy, and accurate cutting and beveling applications.

Follow us on social media  
Product videos on our YouTube channel





# Sawyer Saddle Machine

Model: SSM

- For pipe sizes ranging from 1.5" - 20"
- 4 machine sizes
- Spacers are designed to accomodate 3 pipe sizes
- Familiar, open design for easy placement over the pipe
- Can be used with most oxy/fuel or plasma torches
- Torch is an add-on, does not come standard
- Limited Lifetime Warranty



## MODELS



1.5" - 4"



3" - 8"



6" - 12"



12" - 20"

## ACCESSORIES

### ADJUSTABLE TORCH HOLDER - CLASSIC (4KB)

- Comes standard with the Sawyer Saddle Machine
- Provides a superior cut and bevel
- Prevent blowholes
- Forward or backward bevel



Model 4KB

### 110V/220V MOTOR KIT - BATTERY READY (206L)

- Industrial grade, brushless motor
- Flame or plasma cutting
- Accepts DeWalt style 20v batteries (\*not included)



Model 206L

### ADDITIONAL ACCESSORIES

- Double Cut Torch Holder (283E)
- Upright Torch Arm (284D)
- Carrying Case (13Z)

# Band Beveling Machine

Models: 206A / 206D

- For pipe sizes 6" and larger
- One crawler fits all band sizes
- Flexible 9' or 14' drive shaft
- 6" of clearance with Right Angle Drive Kit
- Out-of-Round attachment unnecessary
- Stainless steel bands mount anywhere on the pipe
- Custom sizes are available
- Limited Lifetime Warranty



## ACCESSORIES

### ADJUSTABLE TORCH HOLDER - CLASSIC (286)

- Provides a superior cut and bevel
- Prevent blowholes
- Forward or backward bevel



Model 286

### 110V/220V MOTOR KIT - BATTERY READY (206K)

- Industrial grade, brushless motor
- Flame or plasma cutting
- Accepts DeWalt style 20v batteries (\*not included)



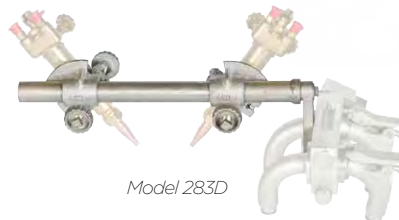
Model 206K

#### KIT INCLUDES

- Control Box
- Brushless Motor
- Extension Cord
- Mounting Bracket
- 110v/220v Adapter

### ADDITIONAL ACCESSORIES

- Double Cut Torch Holder (283D)
- Right Angle Drive Kit (206E)
- Adjustable Torch Holder (284D)
- Carrying Case (13U)



Model 283D



Model 206E

\* Band & Transmission sold separately  
Torches shown for illustrative purposes only; available as optional equipment

# Quick Set Beveling Machine

Model: 205CS

- For pipe sizes ranging from 1.5” - 20”
- 4 machine sizes
- Adjustable arms - no spacers
- Full travel ring with a split frame design
- Gear box is fully enclosed, safeguarding from damage to exposed gears
- Limited Lifetime Warranty



## ACCESSORIES

### ADJUSTABLE TORCH HOLDER - CLASSIC (4KB)

- Comes standard with the Quick Set Beveling Machine
- Provides a superior cut and bevel
- Prevent blowholes
- Forward or backward bevel



### 110V/220V MOTOR KIT - BATTERY READY (205C-ES)

- Industrial grade, brushless motor
- Flame or plasma cutting
- Accepts DeWalt style 20v batteries (\*not included)



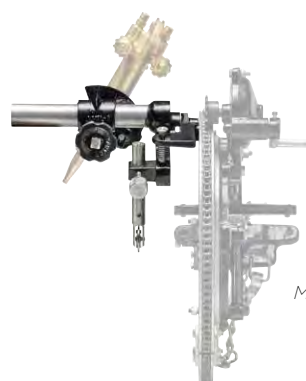
### DOUBLE CUT TORCH HOLDER (283B)

- Carries two torches simultaneously
- Allows independent height, lead, and bevel degree adjustments
- Available with Out of Round feature



### OUT OF ROUND ATTACHMENT (281B)

- “Floats” torch holder to follow pipe contour
- Accurate graduation permits setting torch for bevel angle



### ADDITIONAL ACCESSORIES

- Upright Torch Holder (284C)
- Carrying Case (13K)

Model 281B

# Compact Beveling Machine

Model: 200C

- For pipe sizes ranging from 3”-60”
- 10 machine sizes
- Full travel ring with a split frame design
- Spacers come attached directly to machine
- Gear box is fully enclosed, safeguarding from damage to exposed gears
- Largest size range available in the industry
- Limited Lifetime Warranty



## ACCESSORIES

### ADJUSTABLE TORCH HOLDER - CLASSIC (4KB)

- Provides a superior cut and bevel
- Prevent blowholes
- Forward or backward bevel



### 110V/220V MOTOR KIT - BATTERY READY (200C-E)

- Industrial grade, brushless motor
- Flame or plasma cutting
- Accepts DeWalt style 20v batteries (\*not included)



#### KIT INCLUDES

- Control Box
- Mounting Bracket
- Brushless Motor
- 110v/220v Adapter
- Extension Cord

### ADDITIONAL ACCESSORIES

- Double Cut Torch Holder (283A)
- Out of Round Attachment (281A)
- Upright Torch Holder (284B)
- Carrying Case (13Q)

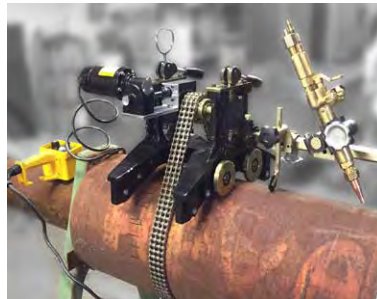




# MX1 Beveling Machine

Model: 211

- Available for pipe 4" and larger
- 3-link chain and gear system for accuracy
- Heavy duty unit
- Vertical cutting with track band
- Adjustable wheel positioning



# Chain Beveling Machine

Model: 207

- Available for pipe 4" and larger
- Adjustable rack torch holder for exact placement of the torch
- Supplied with an adjustable rack torch holder, handles, and a service key

## ACCESSORIES

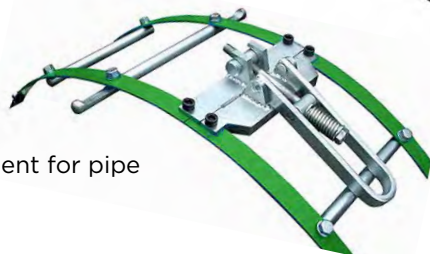
### 110V/220V MOTOR KIT - BATTERY READY

- Industrial grade, brushless motor
- Flame or plasma cutting
- Accepts DeWalt style 20v batteries (\*not included)

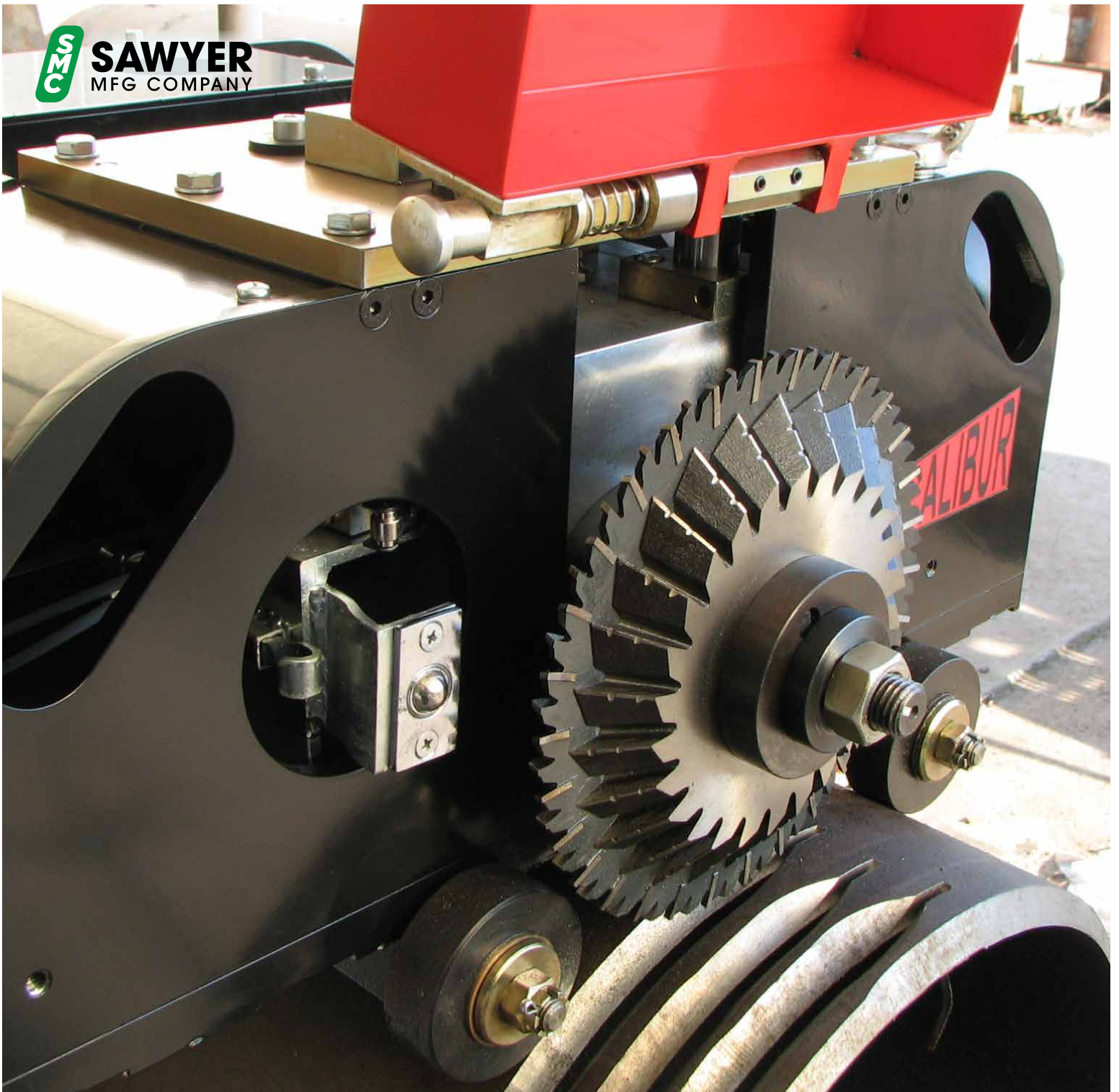


### TRACK BAND

- Cut vertical pipes and vessel
- Secure locking mechanism
- Adjustable at locking point to allow adjustment for pipe coating or slightly odd sized pipe







## COLD CUTTING EQUIPMENT

Sawyer's Excalibur is the perfect solution for operations where cold cutting methods are required.

Follow us on social media  
Product videos on our YouTube channel





# Excalibur Cold Cutting Machine

Model: 210

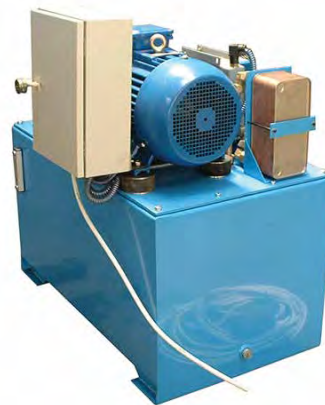
- Suitable for pipe from 15.24cm-7mtr. diameter and beyond
- Cuts pipe up to 2" wall thickness
- 3 power options: Hydraulic, Electric and Pneumatic
- Pneumatic and Hydraulic versions are suitable for use in no-spark environments
- Full compliance with EU Machinery Directive 2006/42/EC
- Two speed drive gearbox; cuts at speeds up to 60mm/min.
- Out-of-Round compensation is unnecessary
- Accurate to +0.5mm when used with optional guide band



## ACCESSORIES

### POWER PACK

- For the 210H Hydraulic Driven Excalibur
- Diesel or electric driven options are available



### MILLING CUTTERS

- High Speed Steel is standard; ASP30 or ASP60 optional
- Blades to fit other manufacturer's machines are also available







# WELDING TOOLS

Sawyer has the Welding Tools welders need whether on the pipeline or in a fab shop.

Follow us on social media  
Product videos on our YouTube channel





# Welding Grasshopper

Model: 410

- Grounding device to prevent arcing
- Grounding Bolt has adequate length for two grounds, permitting brother-in-law welding
- Optional Long Bolt to use with clamps, or on tie-ins and anomaly digs
- Nylon-insulated magnets prevent arcing at contact point



## Grinder Holder

Model: 415

- Holds 2 grinder holders up to 9" and a Rheostat box
- 2 mounting options:
  - 1 3/8" Pipe Stand Mount fits all major manufacturer's stands
  - 4 powerful magnets swivel to accommodate flat surfaces or pipe 3" and above
- Portable; integrated easy-carry handle
- Additional tools held with a powerful magnet mounted to the frame





420-S

420

## Spacing Tool

Models: 420-S / 420

- Quickly obtain an exact weld gap
- Wedge thickness
  - 420-S: 3/16"
  - 420: 1/4"
- Tapers to a chiseled point
- Special process hardens steel to restrict bend or mushroom

## Canadian Spacing Tool

Models: 421-S / 421

- All the specifications of the Spacing Tool with a double-sided chiseled point
- Wedge thickness
  - 421-S: 1/4"
  - 421: 1/4"



421-S

421



## Welding Rod Bucket

Model: 412

- 4.5 gallon, stainless steel bucket
- Holds electrodes and stubs
- 4 pre-formed partitions keep rods separated for easy access
- Strong construction

# Welders 3rd Hand

Model: 411

- Use with all 1-1/2", 2", 3" and 4" pipe and fittings
- Eliminates the expense of a helper
- Increases pipe lineup accuracy
- Easily aligns the welding gap



# Hi-Lo Gauge

Model: 430

- Imperial or metric models
- Precision measurement of the weld gap
- Quick and easy to use; measurements in seconds
- Measures inside hi-lo; can be left in place while making adjustments with the Chain Clamp



# Locking Boomer

- For use with coupon cutters, all saddle beveling machines
- Great for welding bottle tie downs
- Available with additional chain to accommodate any size job



# Welding Tent Frame

Model: 450

- Durable; manufactured from high quality steel
- Flame-proof covers not standard
- Available in a range of sizes
- Setup and dismantle in a matter of seconds
- Minimum Order Quantity: 150 within USA

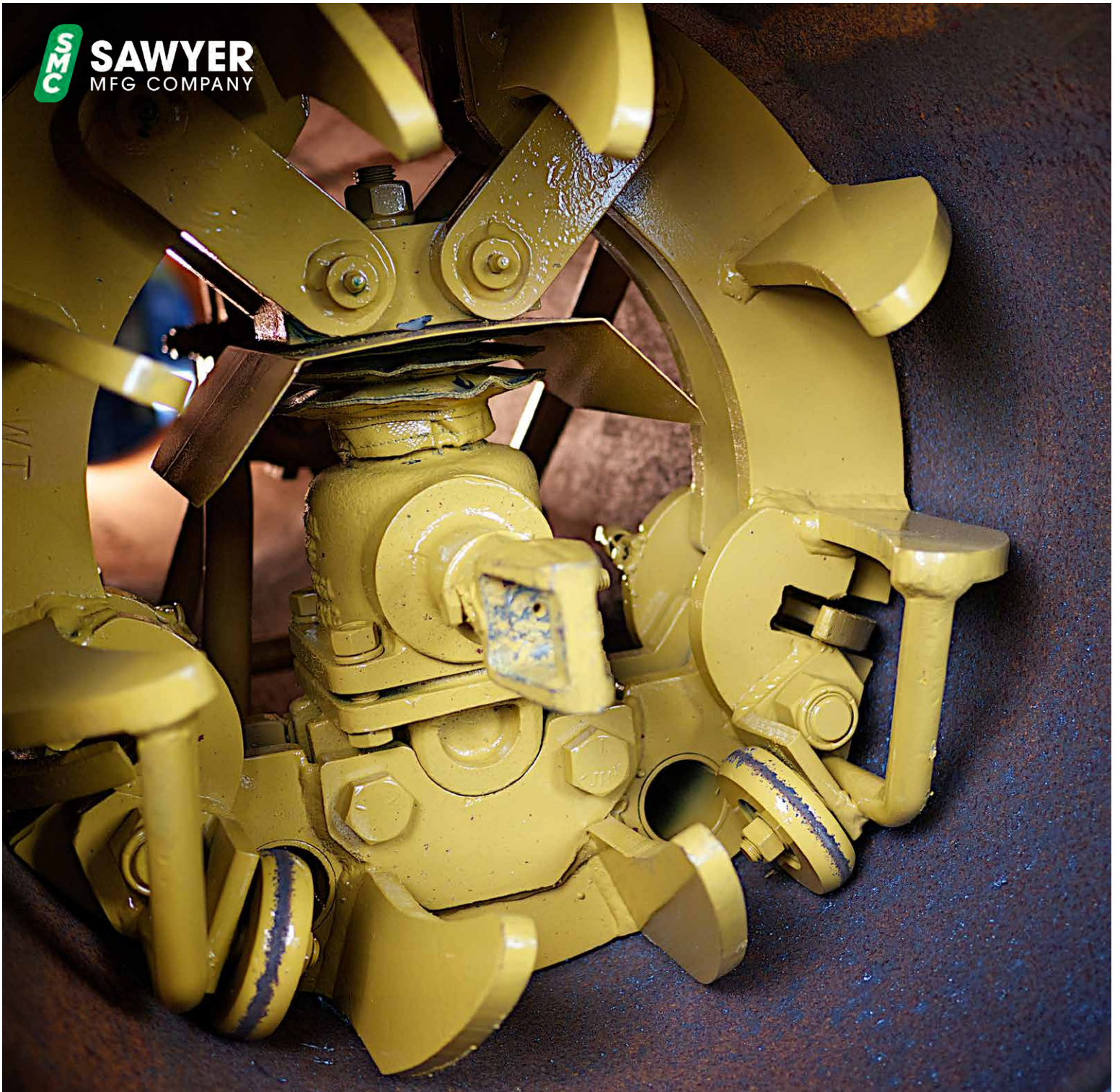


# Tool Boxes

- Built with quality steel
- Choice of a range of colors; powder-coated for durability
- Range of sizes available
- Customized to fit: EZ Clamps, Chain Clamps, Jack and Jill Stands, Excalibur or any other products requiring secure storage







# INTERNAL CLAMPS

Sawyer Internal Clamps are custom-built for your application for pipe sizes 6" and larger.

Follow us on social media  
Product videos on our YouTube channel





# Tackless Internal Clamps

Models: 247

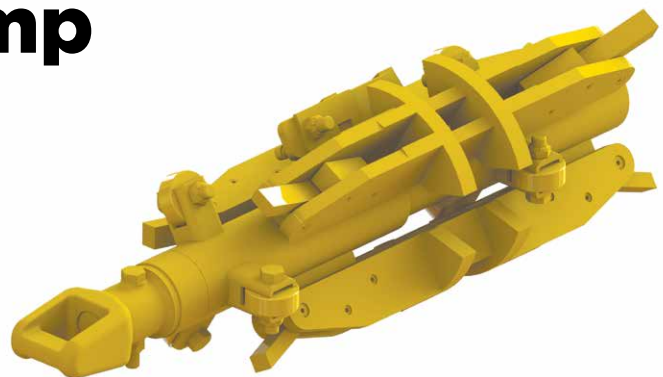
- Available in sizes 2"-6" with custom wall thickness for pipe and tube
- Gap is unobstructed to permit welding without tacking
- Automatically aligns inner bore between pipe and flange
- Copper backing for anti-spatter is replaceable
- Quick release for fast application
- Requires no outside power unit



# Small Manual Internal Alignment Clamp

Model: 242W

- Available for 6" to 8" pipe OD sizes
- Stainless steel, copper, or carbon steel shoes
- Optional wheels: hard or soft
- Comes standard with 49' of Reach Rod, Hook and Hand Crank





## Jack Screw Internal Alignment Clamp

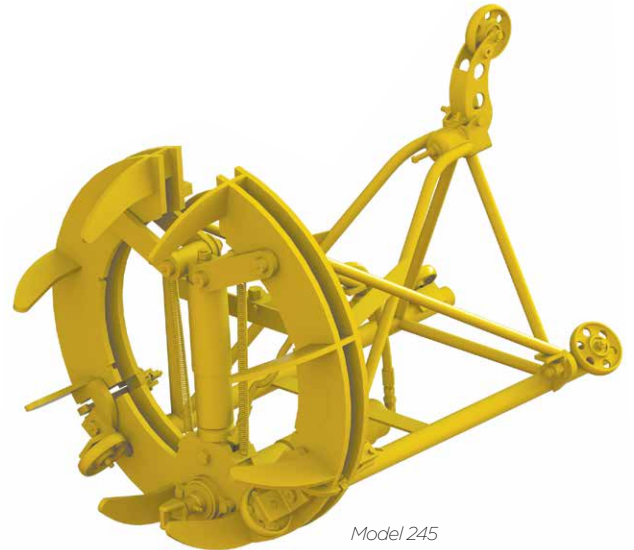
Model: 256

- Available in sizes 48" and larger
- Easily holds & lines up large OD pipe
- Individual jackscrews allow specific pressure application on a particular area while still aligning total pipe gap
- Available with or without contact plates
- Custom designed to meet specifications

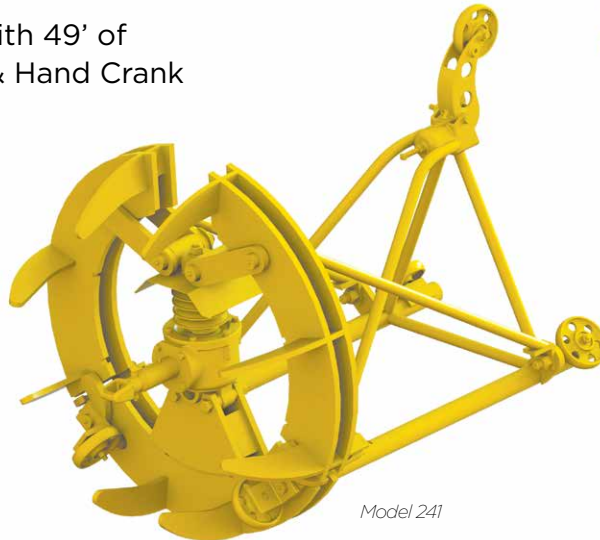
## Large Internal Alignment Clamps Manual/Hydraulic

Models: 241 / 245

- Manual (241): Available in sizes 10" and larger
- Hydraulic (245): Available in sizes 16" and larger
- Welding gap is unobstructed for full stringer bead
- Requires no outside power unit
- Available with copper backup ring
- Each clamp machined for specific pipe ID
- Comes standard with 49' of Reach Rod, Hook & Hand Crank



Model 245



Model 241





# EXTERNAL CLAMPS

Sawyer's External Clamps are suited to distinct applications. Simple structure and increased accuracy make aligning pipe easy.

Follow us on social media  
Product videos on our YouTube channel





# Hand Lever Cage Clamp

Model: 255M

- Available for pipe sizes 2"—60"
- Precision built for accurate alignment and long field life
- Available with stainless steel contact points



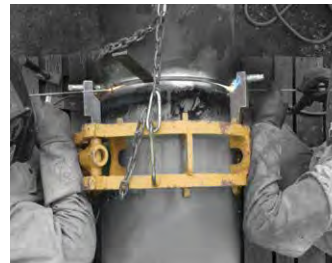
No Tack

Tack

## CAGE CLAMP ACCESSORIES

### JACKSCREW WEDGE (480)

- 2 sizes for clamps 16"—28" and 30"—48"
- Will work with all major manufacturer's external clamps
- Hold fittings in place when using a cage clamp



Model 480

### HI-LO WEDGE (460)

- 2 sizes for clamps 16"—28" and 30"—48"
- 1" and 1 1/4" to fit all major manufacturer's clamps
- Simple solution to hi-lo



Model 460



# Ratchet Cage Clamp

Model: 255R

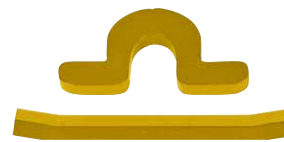
- Available in sizes through 60"
- Built with removable or built-in handle
- Ratchet mechanism helps align pipe
- Left and right thread provides fast alignment
- Positive, accurate alignment
- Simple, quick and easy to use
- Constructed of quality steel for rugged specifications



*Built-in ratchet handle*



*Removable ratchet handle*



No Tack

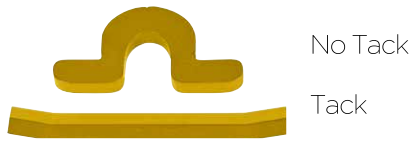
Tack



## Hydraulic Cage Clamp

Model: 255H

- Available for pipe sizes 16"—60"
- Hydraulic mechanism exerts extra pressure for aligning large pipe
- No tack design allows full 360° welding
- Simple, quick and easy to use



No Tack

Tack

## Segmented Hydraulic Clamp

Model: 254

- Sizes 48" and larger
- Double ring construction with relieved webs
- Hinged segments enhance flexibility and handling of large diameter pipe



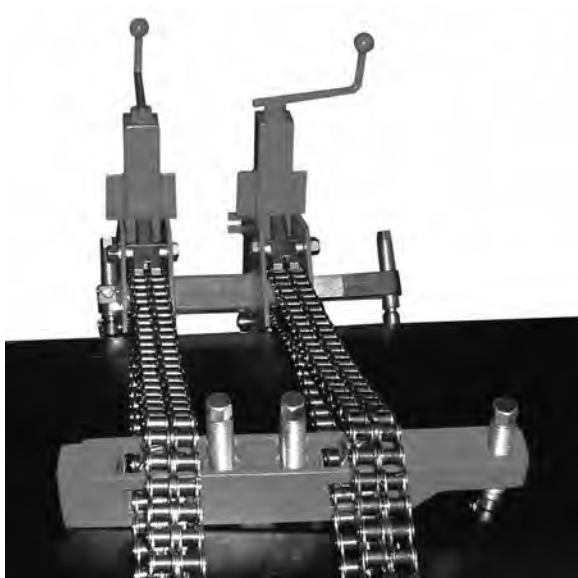
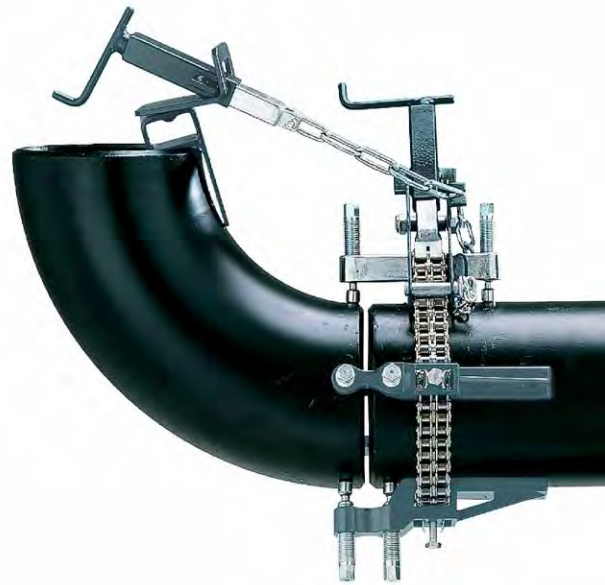
Model 254



# Chain Clamp

Model: 260

- Available in sizes 4" and larger
- Safely permits elbows, tees, and other fittings to be held
- Reforms Schedule 40 pipe and aligns pipe up to Schedule 80



# Double Chain Clamp

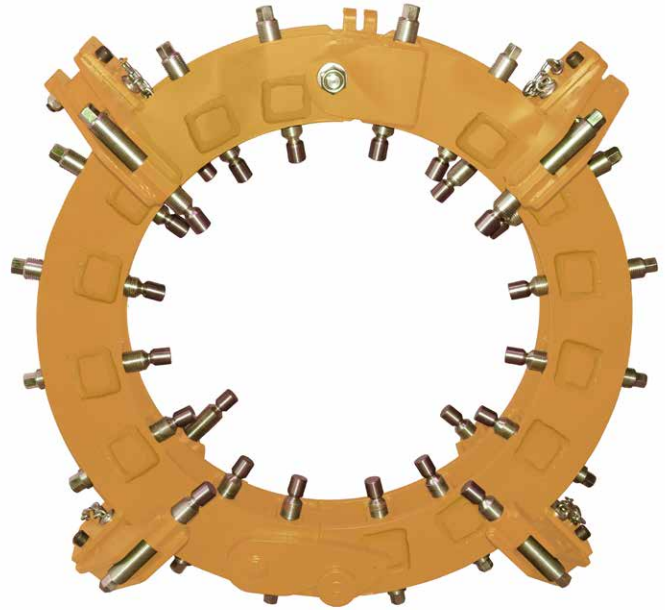
Model: 261

- Reforms up to Schedule 80 on pipes from 10" to 72" diameter and beyond
- Pivoting jackbar pads for positive pipe alignment
- Available in steel or stainless steel
- Pipe can be welded with clamp in place
- Zinc plated and powder coated

# Rim Clamp

Model: 258

- From sizes 4"—72" and larger
- Reform high tensile pipe up to X45
- For out of round conditions up to 2"
- Stainless Steel compatible as standard
- Hinged flip-up jackbars allow for simple pipe mating and full 360° welding
- Jackscrew Setting Gauge makes initial setup easy



# Ultra Rim Clamp

Model: 258U

- From sizes 4"—72" and larger
- Reform high tensile pipe up to X65 with up to 1" wall thickness
- For out of round conditions up to 2 1/4"
- Galvanized jackscrews with pivoting pads for precise reforming pressure
- Hinged flip-up jackbars allow for simple pipe mating and full 360° welding
- Jackscrew Setting Gauge makes initial setup easy



# Aluminum Alignment Clamp

Model: 253

- For pipe sizes 3/4"—6"
- Designed to permit full 360° welding
- Line bored to assure positive, accurate alignment
- High strength cast aluminum alloy
- Special tubing sizes available



# Qwik Clamp

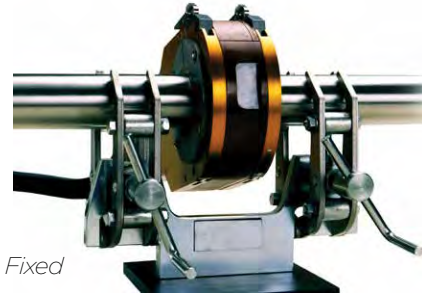
Model: 251

- 3 sizes for pipe sizes up to 12"
- Aligns small diameter pipe
- Lightweight materials
- Suitable for use on stainless steel pipes without the need for extra shoes or screws

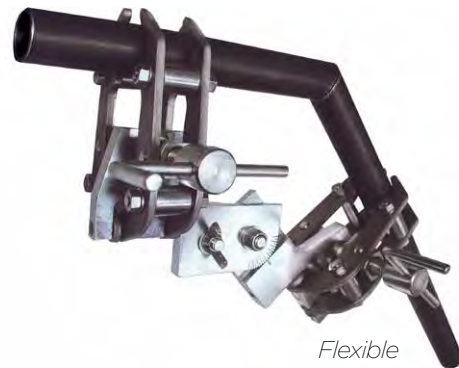
# Precision Pipe Alignment Clamp

Model: 265

- For pipe sizes up to 4"
- Aligns small diameter thin wall pipes and offers incredible accuracy on pipes up to Schedule 20
- The clamp jaws work independently to enable pipe to be concentrically aligned regardless of their diameters.
- Compatible with all leading Orbital Welding Heads
- Made from high purity stainless steel; will not contaminate Stainless Steel pipes



*Fixed*



*Flexible*



## EZ Clamp

Model: 252

- 4 sizes for pipe sizes up to 12"
- Can be used on all materials including stainless steel
- Stainless steel shoes and thumb screws included with each clamp
- Wing nut screws allow the clamp to adjust to specific pipe requirements (also known as hi-lo)

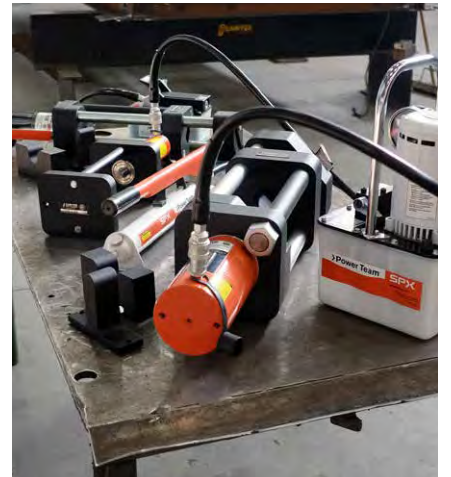


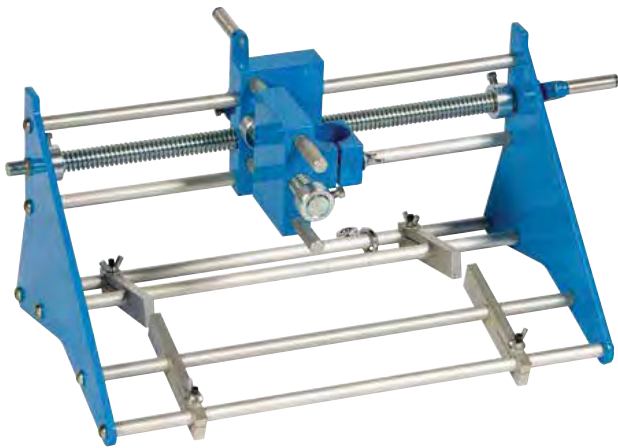


# WELD TESTING

Sawyer's destructive weld testing is ideal for technical colleges, welding shops, and pipeline inspection.

Follow us on social media  
Product videos on our YouTube channel





## Coupon Cutter

Model: 270D

- Available from sizes 3" - 14"
- Speed: 6 turns per inch travel
- Left or right hand operation

## 15 Ton Strap Bender

Model: 273-15

- Performs guided bend testing
- Comes standard with ASME 3/8" die and plunger, optional sets available to meet code
- Includes:
  - Single speed manual pump
  - (1) die and plunger
  - (1) custom carrying case
- For field and shop applications
- Horizontal or vertical use
- Units supplied with Power Team Hydraulics





# 25 and 55 Ton Bend and Tensile Tester

Models: 273-25 / 273-55

- Performs both guided bend and tensile strength testing
- Comes standard with 1/4" - 1/2" jaws and ASME 3/8" die and plunger, optional sets available to meet code
- Includes:
  - Liquid filled & certified gauge with high level indicator
  - 2 speed manual pump
  - (1) die and plunger
  - (1) set of pulling jaws
  - (1) custom carrying case
- Electric and pneumatic options



## WELD TESTING ACCESSORIES

### DIE & PLUNGERS (116)



ASME 1/4

ASME 3/8

ASME 1/2

API 1104

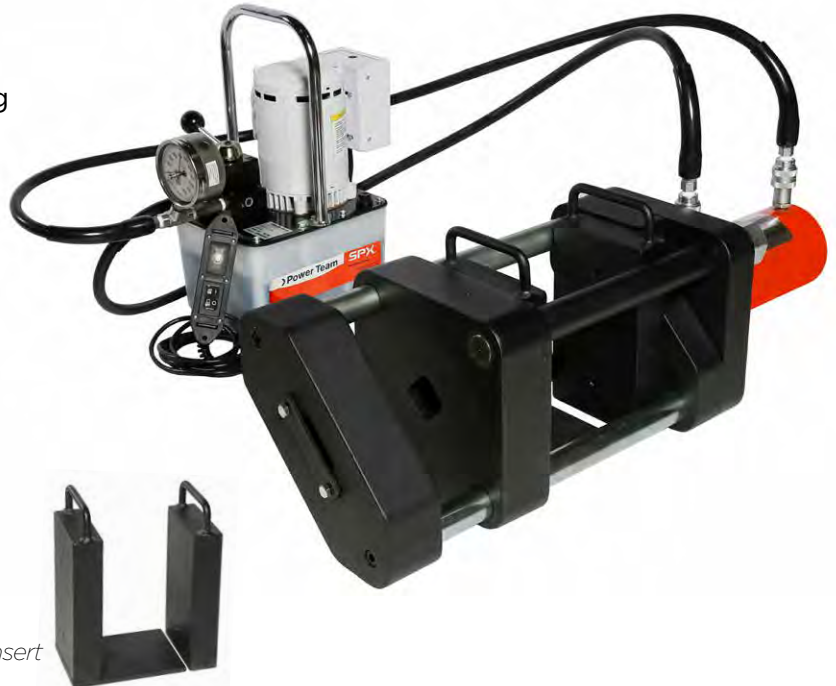
### TENSILE TESTER JAWS (115)



# 55 Ton Bend, Fillet and Tensile Tester

Model: 273-55FT-E

- Safely test fillet welds and performs guided bend and tensile strength testing
- Ideal for educational weld testing
- Comes standard with ASME 3/8" die and plunger and 1/4" - 1/2" pulling jaws, optional sets available to meet code
- Includes:
  - Liquid filled & certified gauge with high level indicator
  - Dual action electric pump
  - Fillet insert
  - (1) die and plunger
  - (1) set of pulling jaws
  - (1) custom carrying case



*Fillet Insert*

## WELD TESTING ACCESSORIES

### HAND PUMP (526-4)

- Single speed hand pump for the 15-ton
- Dual speed hand pump for larger units
- Max volume per stroke, 2-way valve



### PNEUMATIC FOOT PUMP (526-20)

- Air driven hydraulic single speed pump
- Access to air compressor is necessary for foot pump operation



### ELECTRIC PUMP (526-28)

- Electric 2-speed pump
- 10 ft. remote control cord







## PIPE LIFTING

Sawyer Pipe Lifting equipment is designed for lifting a wide range of pipe sizes with each model.

Follow us on social media  
Product videos on our YouTube channel



# Pipe Hooks

Models: 231C / 232 / 233

- Extra thick T1 steel on A & B bodies
- Integrated handle for greater ease of use
- Reduced pinch points for increased safety
- Design based on ASME B30.20
- Interchangeable cast aluminum alloy inserts
- Unique wide mouth body available for extra clearance
- Sold in pairs

Load Capacity (per hook)

A Size: 8,000 lbs

B Size: 10,000 lbs

C Size: 25,000 lbs



3" - 42"  
Model 232



3" - 42"  
Model 233



36" - 72"  
Model 231C



## Pipe Tong

Model: 125G

- Available in sizes 2" - 36"
- Equipped with grip pads that ensure a safe, positive engagement of the pipe and are field replaceable
- Designed to permit an automatic release of the pipe when lift line is slacked off





# AUXILIARY EQUIPMENT

Sawyer's Auxiliary Equipment protects and reclaims pipe.

Follow us on social media  
Product videos on our YouTube channel



# Accuwrap II

Model: 229B

- 3 Sizes: For 2"-18" wide tape rolls
- Applies release liner or plain tape coatings
- Will accommodate tape with 1.5" or 3" diameter cores
- Ideal for spiral and cigarette wrapping
- Very low profile, requires minimal clearance



# Pipe Expander

Model: 221

- Sizes 10" - 48"
- 90% of pipe is always in contact with shoes
- Gear box moves toggles to position shoes in true circle
- Acme screw exerts tremendous pressure to force pipe into round

# Dent Remover

Model: 224

- Sizes 10" - 18"
- Shoe design concentrates pressure in exact dent area
- High pressure, spring return hydraulic ram
- Complete with manual pump and 6' pressure hose







## PIPE STANDS

Sawyer Pipe Stands come in a variety of styles for pipe support to suit any application.

Follow us on social media  
Product videos on our YouTube channel



# V Head Pipe Stand

Model: 455

- 5" V Head for pipe up to 24" in diameter
- 2,500 lb. load capacity
- Height adjustment range of 28"- 52"
- Locking ring for quick vertical adjustments
- Folding legs



# Mega Jack Pipe Stand

Model: 456

- 11.5" V Head with rollers for pipe up to 36" in diameter
- 2,500 lb. load capacity with roller head wheels and casters
- 3,500 lb. load capacity without roller head wheels and casters
- Height adjustment range of 28" - 52"
- 4 leg construction for stability



# Jack and Jill Stands

*Sold Outside the USA*

Models: 440 / 441

- Adjustable for pipe sizes 2" - 48"
- Choice of folding or fixed stands
- Rated to 1800 kg when using the standard V Head
- Large V Heads for pipe over 24"
- Wide range of interchangeable heads



Model 441



Model 440

## PIPE STAND ACCESSORIES - MODULAR HEAD SYSTEM

*Sold Outside the USA*

### BALL TRANSFER HEADS

- Easy movement of non-stainless steel pipes along a series of stands



### STAINLESS BALL TRANSFER HEADS

- Easy movement of stainless pipes along a series of stands with zero contamination



### STEEL WHEEL HEADS

- Easy rotation of non-stainless pipes



### STAINLESS STEEL SLIPPERS

- Use with stainless steel pipes when no rotation is required



### RUBER WHEEL HEADS

- Easy rotation of stainless steel pipes with zero contamination



# Bull Roll

*Sold Outside the USA*

Model: 442

- Adjustable for pipe up to 48"
- Unique bearing system allows for adjustment even under load
- Fully adjustable castor system for use on uneven surfaces
- 12" V Head, heavy duty polyurethane castors, quick action brakes and Pipeswizard® Hold Down Device come standard
- Simple, safe and affordable way to move pipes



Model 442

# Rollapipe

*Sold Outside the USA*

Model: 443

- Pipes 2"—48" and 900kg can be rotated quickly and accurately
- Dual safety locking rings for safety
- Quick release handle makes height adjustment easy
- Available in 3 sizes:  
24" Fixed Stand, 31" Fixed Stand, 29"-42" Adjustable Stand
- Steel wheel heads and rubber wheel heads have bronze bearings to eliminate arcing







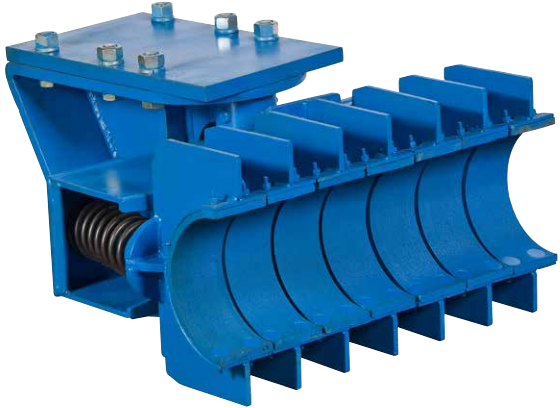
# PIPE BENDING

Sawyer has been a market leader in pipe bending for over 50 years.

Follow us on social media  
Product videos on our YouTube channel



# Tractor Bending Shoe



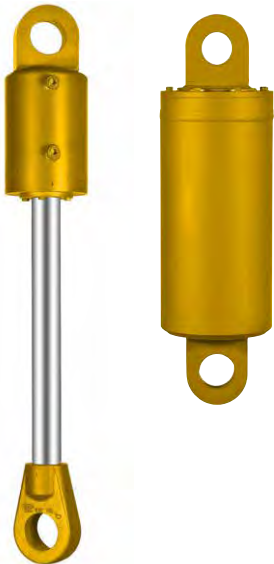
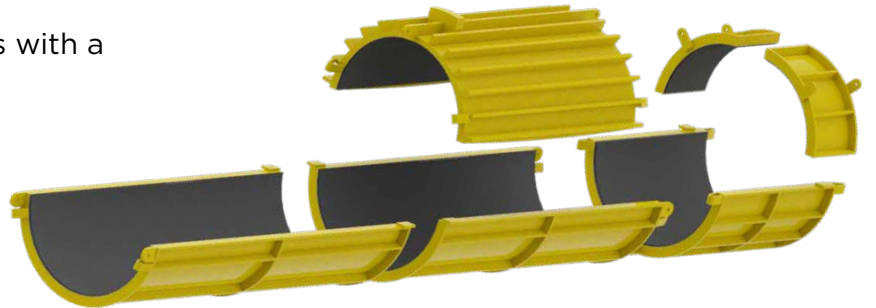
Model: 305B

- Available for pipe sizes 3" - 16"
- All Bending Shoe sizes work on the same adapter
- Padded to protect pipe

\*Tractor Bending Shoe Mount (which includes adapter, pins and springs) sold separately - Part 4AR

## Pipe Bending Set

- 20" sets come in 3 pieces with a
  - Die
  - Stiffback
  - Pinup Shoe
- 30" and larger sets come in 6 pieces with a
  - Die
  - (2) Stiffbacks
  - Pinup Shoe
  - (2) Pinup Clamps
- Sets are made for any make, model, and size of Pipe Bending Machine



## Hydraulic Cylinders

- Built to customer specifications
- Sizes range from 4" - 14" in diameter



# Repair Services

[sawyermfg.com/repairs](http://sawyermfg.com/repairs)

- High-quality technicians with experience in all aspects of maintenance and repair
- We can repair:
  - All brands and models of band-type beveling machines
  - All Sawyer beveling machines: Bands, Compact, Quick Set, Saddle Machine
  - Hydraulic Cylinders of all makes and sizes
- Timely execution of repairs



[sawyersupports.com](http://sawyersupports.com)

We specialize in the design and fabrication of standard, custom, and engineered pipe supports and utility components.

- Elbow Supports
- Flange Support
- Pipe Clamps
- Pipe Stands



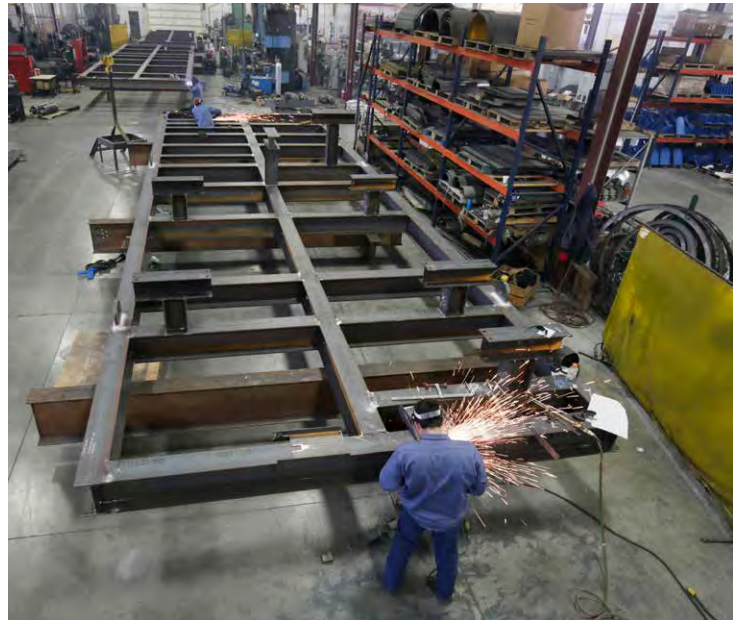


[sawyerfab.com](http://sawyerfab.com)

Sawyer Fabrication is a division of Sawyer Mfg. Company.

Our welders, fabricators, machinists and technicians are calibrated to the highest level and set us apart from the competition. Sawyer Fabrication is fully outfitted for Piping, ASME Vessels, Heavy and Structural Weld along with Conventional and Custom Machining. With our fully equipped facility and staff of highly trained experts, there isn't a job we're unwilling to tackle.

For more information and to view our projects and capabilities, visit us online at [sawyerfab.com](http://sawyerfab.com)



### Fabrication

We have the capabilities to satisfy a wide array of custom welding and fabrication requirements. Our welding procedures are in compliance with ASME and NBIC standards.

### Machining

Sawyer craftsmen produce high quality machined parts to fit nearly any need. Our dedication to precision and quality guarantees customer satisfaction regardless of the specifications.

### Paint & Blast

Surface preparation is yet another service Sawyer provides. Our paint and blasting facilities are more than equipped to exceed most surface coating and preparation needs.

### Assembly

In addition to custom welding and machining work, Sawyer technicians also provide assembly services. From beginning to end, we can take specifications and create a final product that is ready to ship.



**OUR FOUNDER RED SAWYER**  
Early Production Pipe Beveling Machine  
Circa 1949



# QUALITY HERITAGE TRADITION

**SAWYER MFG COMPANY**  
7799 South Regency Drive  
Tulsa, Oklahoma 74131  
+1 918-834-2550  
sales@sawyerfmfg.com

**SAWYER INTERNATIONAL**  
+44 (0) 121 2881620  
international@sawyerfmfg.com

