

GET READY FOR INNOVATION
IN GLOBAL NORMS WITH
RAM ROBOTICS!

CONTENTS

About Us

02

How Do We Run The Process?

03

Arm Type 6 Axis Robots

05

Robot Positioners

07

Gantry Type Robot Positioners

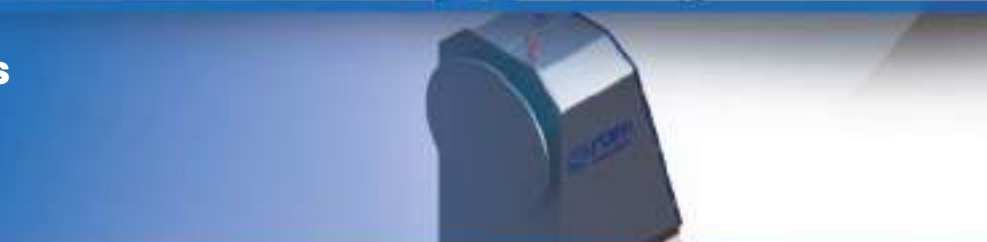
13

Slider

17

Our Applications

19





ABOUT US

Every robot we make is a marvel of engineering!

RAM Robotics, in the applications of source-handling-feeding and packaging processes in 2017 It was established by expert managers who have made a name for themselves with many projects in the country.

Expert engineering staff, experienced staffs in manufacturing and sectoral basis of customers It serves its target audience with the principle of finding solutions to its problems. The solutions offered with the motto "Every job we do is an engineering marvel" puts its customers one step ahead in their field.

Your Solution Partner in Robotic Systems

RAM Robotics determines the demands of its customers and performs the necessary analyzes and reviews of the process.

Through static and dynamic project design, analytics and calculations Perform computer-aided simulations and tests and comply with required quality standards.. You produce it and deliver it to the customer after quality control.



Founded in 2017



Infinite Satisfaction



Full Support Before and After Sales



Unique Production as Fingerprints for Every Industry

**HOW DO WE RUN
THE PROCESS?**

HOW DO WE RUN THE PROCESS?



1-) We Make Correct System Design With On-Site Detection

We examine your products in your company, during the production phase, and determine the right equipment, software and process management for the products and data for the right system design.



2-) Creating the System in 3D Design Programs

After receiving your workpieces from you within the scope of confidentiality agreement, we create your system in a virtual environment by determining the most suitable peripheral equipment for your workpiece in 3D design programs and analysis programs.



3-) Design Validation via Simulation Program

We conduct simulation studies to control the access and programming of the design or system. In this way, we prevent you from purchasing the wrong system before investing.









4-) Bidding

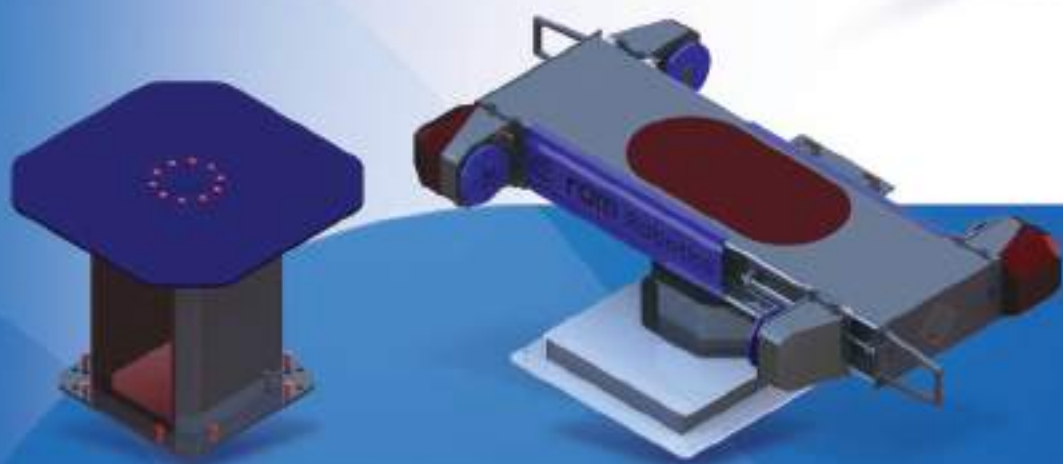
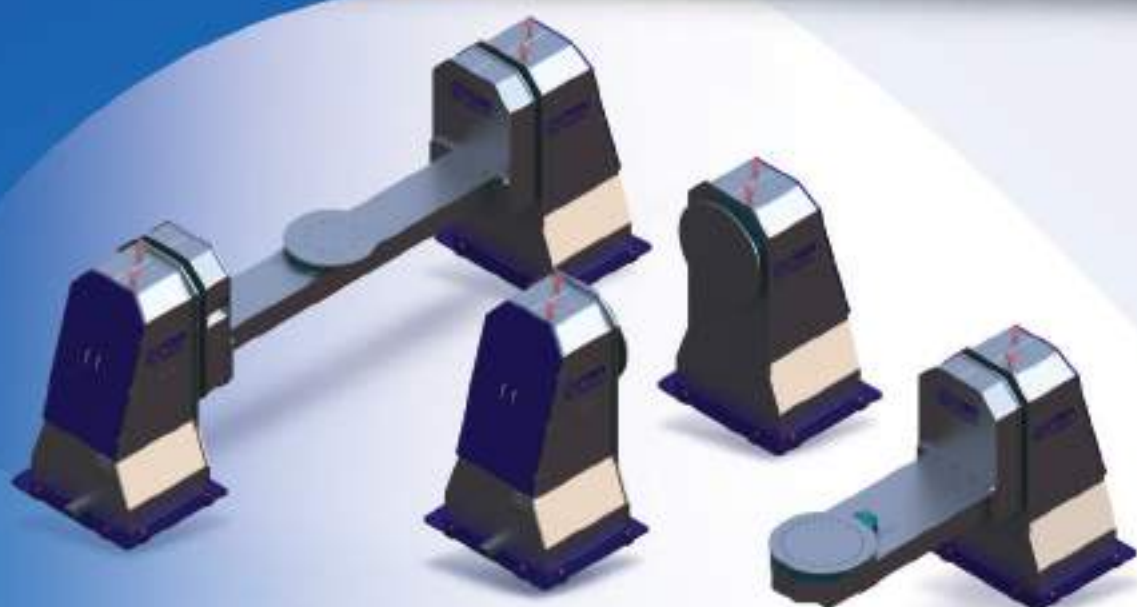
We come to your visit again to share with you the results of the work done and we present the operation of the system to you as a simulation. We present you the mathematical data that emerged during the work on your workpiece. In this way, we provide that you make the right investment and also provide you with all the necessary data for the investment.



ARM TYPE 6 AXIS ROBOTS

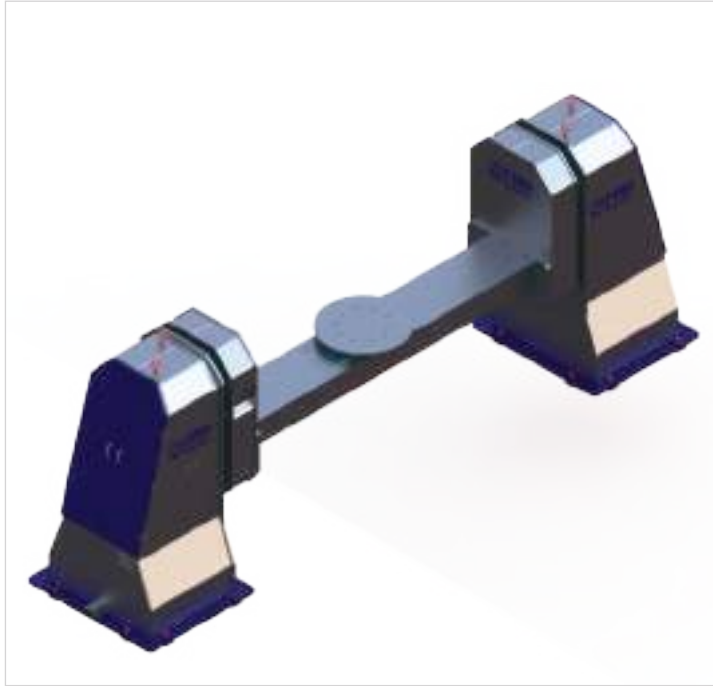
ARM TYPE 6 AXIS ROBOTS

AR 700		AR 900	
			
Loading Capacity	8 kg	Loading Capacity	7 kg
Maximum Working Range	727 mm	Maximum Working Range	927 mm
AR 1440		AR 1730	
			
Loading Capacity	12 kg	Loading Capacity	25 kg
Maximum Working Range	1440 mm	Maximum Working Range	1730 mm
AR 2010		AR 3120	
			
Loading Capacity	12 kg	Loading Capacity	20 kg
Maximum Working Range	2010 mm	Maximum Working Range	3124 mm



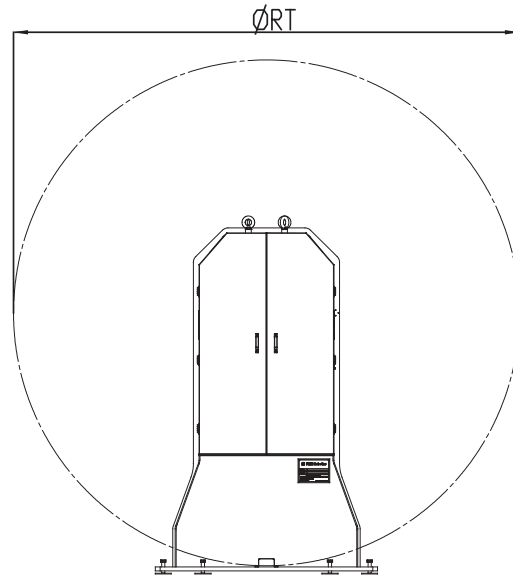
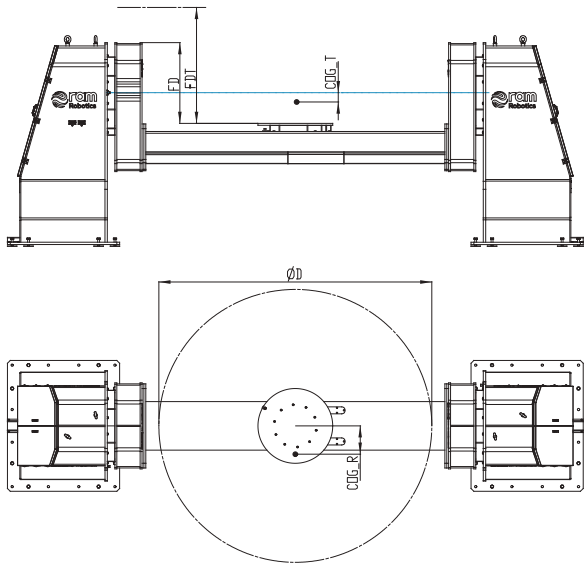
**ROBOT
POSITIONERS**

DROP CENTER POSITIONER - 2 Axis



- RAM-RDC, up to 10,000 kg carrying capacity light to medium capacity and biaxial Dropcenter type used for heavy duty application are positioners.
- Low weight and high strength It has welded steel construction. Other joint with positioners can be used as a component.
- It is unique designs in its field with its latest technology product range and Innovative manufacturing methods
- It is produced aiming at easy using, maintenance and assembly

OPTION: Special paint color



Technical Data	RDC-500	RDC-1000	RDC-2000	RDC-3000	RDC-5000	RDC-10000
Maximum Carrying Capacity Per Station (kg)	500	1000	2000	3000	5000	10000
Maximum Workpiece Clamping Diameter (RT) (mm)	RT*	RT*	D*	D*	D*	D*
Turning Radius (D) (mm)	D*	D*	RT*	RT*	RT*	RT*
Repeatability (mm)	0.05	0.05	0.05	0.05	0.05	0.05
Max Speed (rpm)	15	15	10	10	6	4

K POSITIONER



- RAM-RKP, up to 20,000 kg carrying capacity They are single axis positioners used for light, medium and heavy duty applications

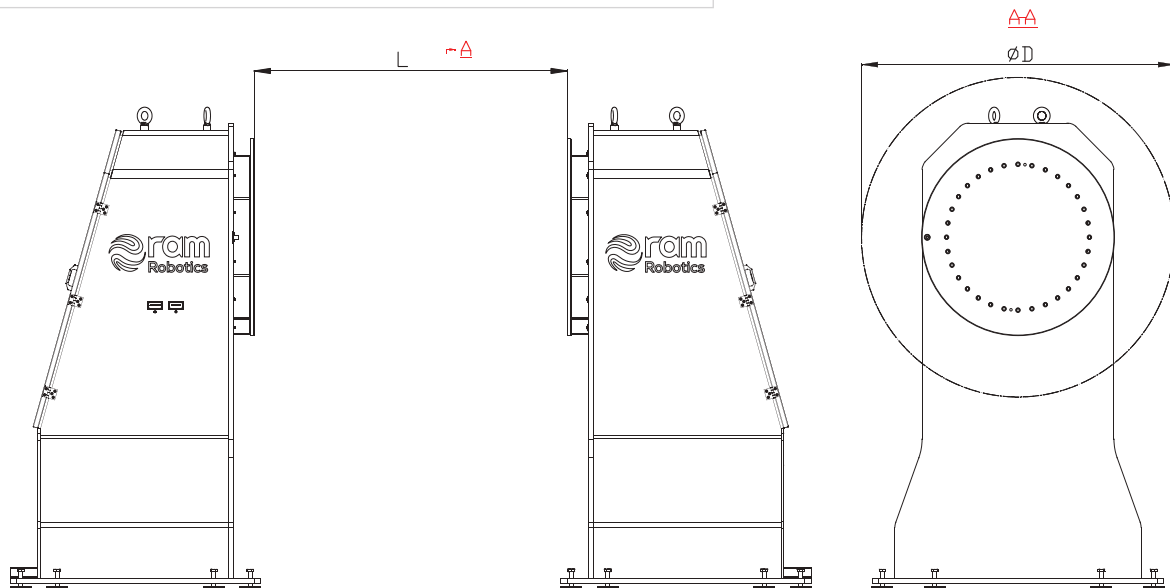
- Low weight and high strength It has welded steel construction. Other positioners as components available.

- It is unique designs in its field with its latest technology product range and Innovative manufacturing methods

- It is produced aiming at easy using, maintenance and assembly

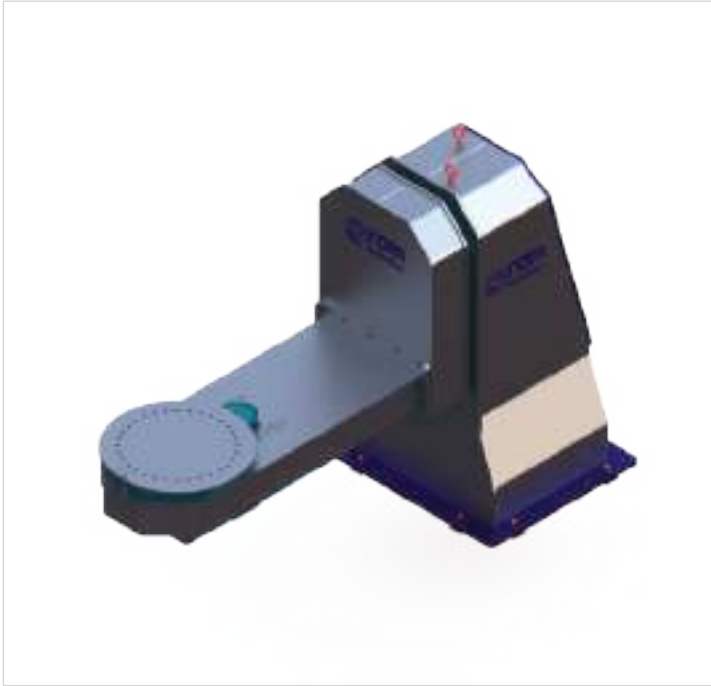
OPTIONS:

- Z axis motion unit
- Slider for idle positioner
- Special paint color



Technical Data	RKP-500	RKP-1000	RKP-2000	RKP-3000	RKP-5000
Maximum Carrying capacity Per Station (kg)	500	1000	2000	3000	5000
Maximum Workpiece Clamping Diameter (D) (mm)	2000	D*	D*	D*	D*
Maximum Workpiece Clamping Spacing (L) (mm)	L*	L*	L*	L*	L*
Height of Fixture Disc Center (H) (mm)	1000	H*	H*	H*	H*
Repeatability (mm)	0.05	0.05	0.05	0.05	0.05
Max Speed (rpm)	15	15	10	8	6

L POSITIONER



- RAM-RLP, They are two-axis L type positioners used for light, medium and heavy duty applications up to a carrying capacity of 15,000 kg.

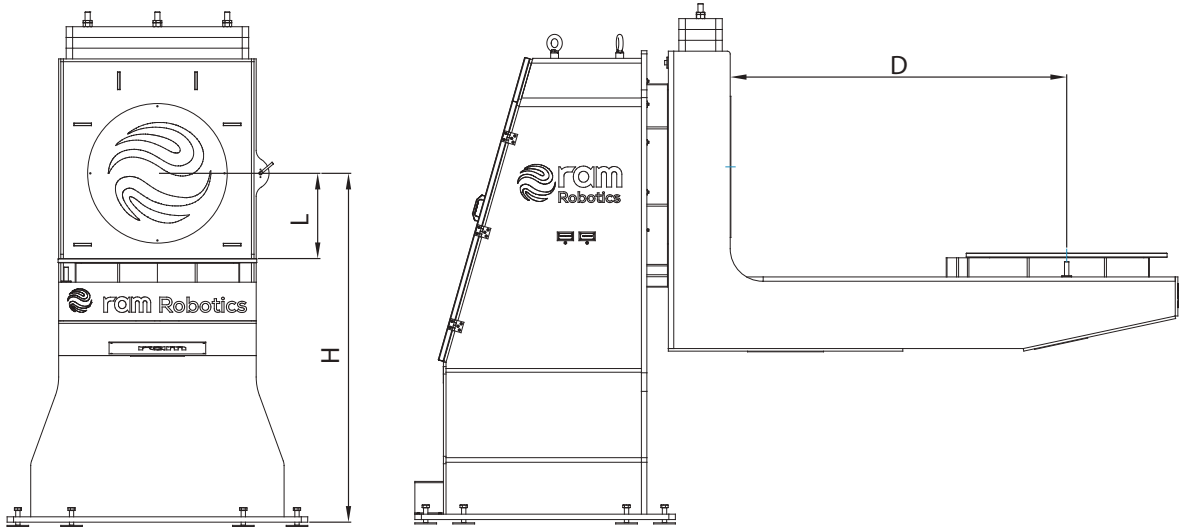
- Low weight and high strength It has welded steel construction. Other It can be used as a common component with positioners.

- It is unique designs in its field with its latest technology product range and Innovative manufacturing methods

- It is produced aiming at easy using, maintenance and assembly

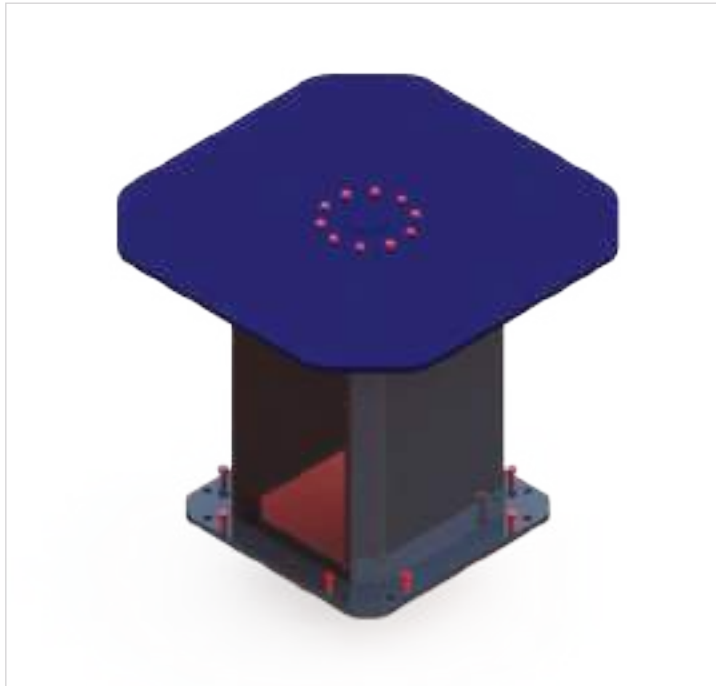
OPTIONS:

- Z axis motion unit
- Idler positioner and slider unit for idle positioner
- Special paint color



Technical Data	RLP-500	RLP-1000	RLP-2000	RLP-3000	RLP-5000
Maximum Carrying capacity Per Station (kg)	500	1000	2000	3000	5000
Maximum Workpiece Clamping Diameter (mm)	D*	D*	D*	D*	D*
Repeatability(mm)	0.05	0.05	0.05	0.05	0.05
Max Speed (rpm)	15	15	10	10	6

SINGLE AXIS POSITIONER

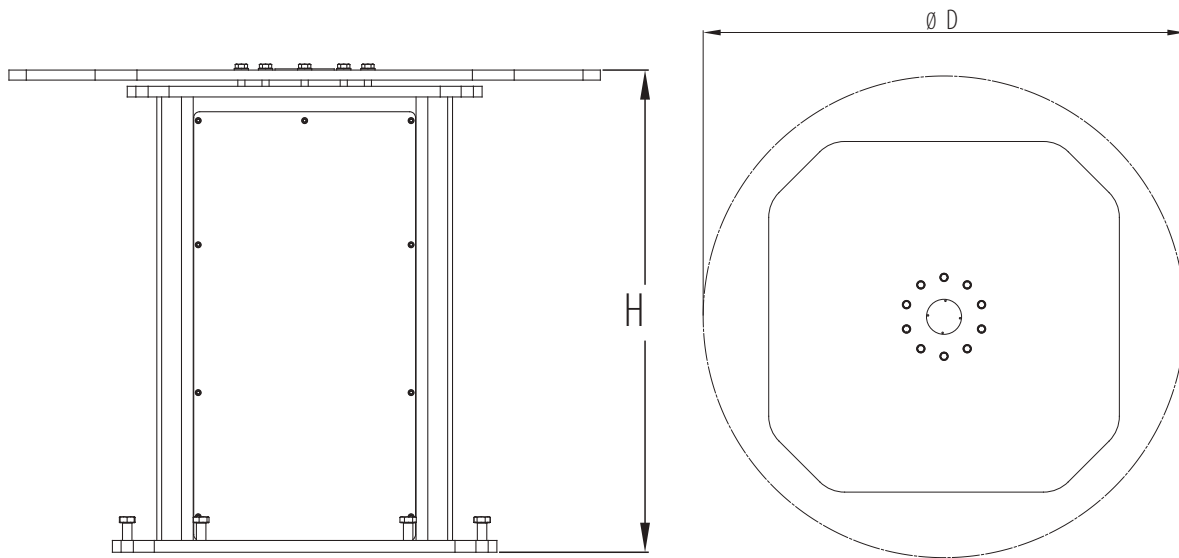


- RAM-RTP, It is single-axis positioners used for light, medium and heavy duty applications up to a carrying capacity of 15,000 kg.

- Low weight and high strength It has welded steel construction. Other It can be used as a common component with positioners.

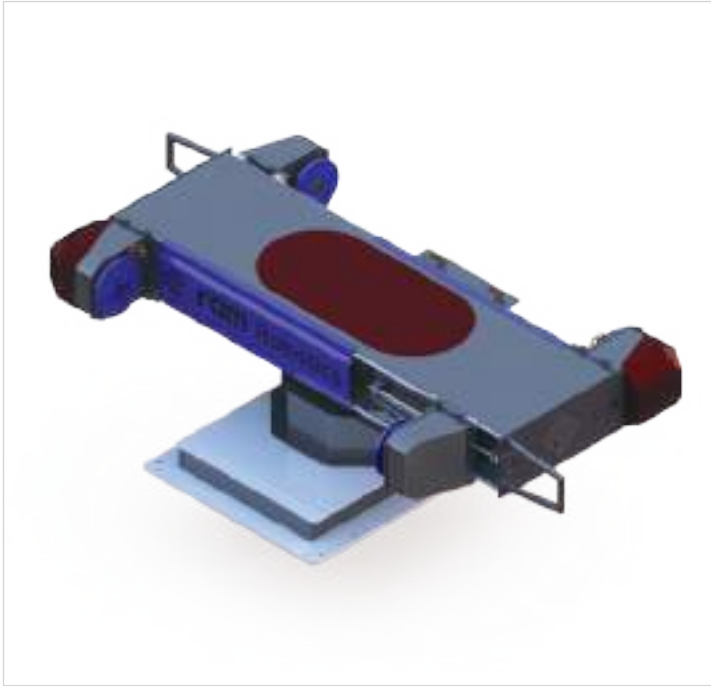
- It is unique designs in its field with its latest technology product range and Innovative manufacturing methods

- It is produced aiming at easy using, maintenance and assembly



Technical Data	RTP-750	RTP-1000	RTP-2000	RTP-3000	RTP-5000
Maximum Carrying capacity Per Station (kg)	750	1000	2000	3000	5000
Maximum Workpiece Clamping Diameter (mm)	1500	1500	1500	D*	D*
Repeatability(mm)	0.05	0.05	0.05	0.05	0.05
Max Speed (rpm)	10	10	8	5	5

H TYPE POSITIONER



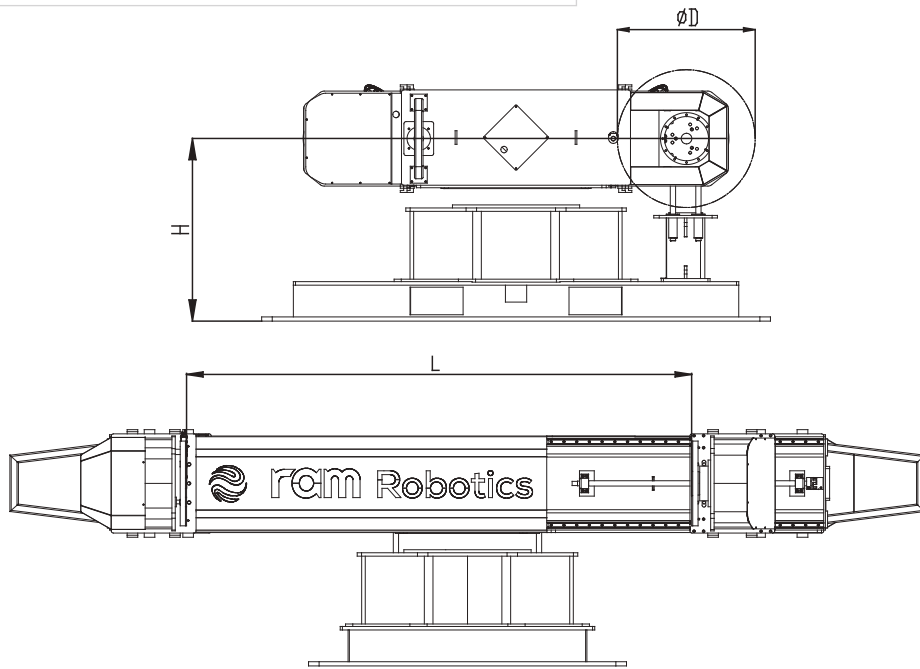
- RAM-RHP, They are two-axis H type positioners used for light, medium and heavy duty applications up to a carrying capacity of 5,000 kg.

- Low weight and high strength It has welded steel construction. Other It can be used as a common component with positioners.

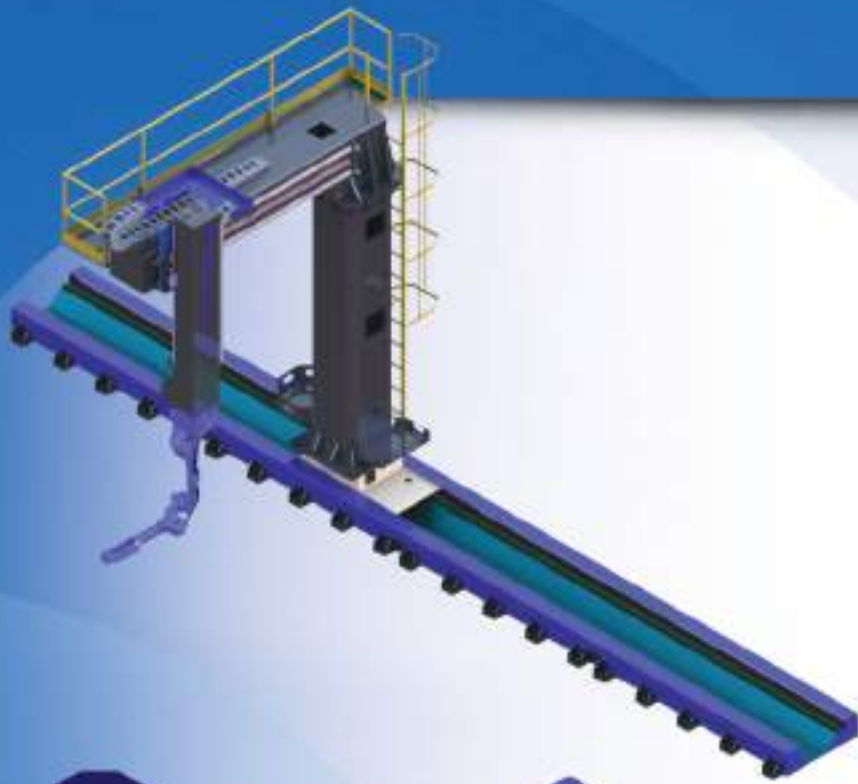
- It is unique designs in its field with its latest technology product range and Innovative manufacturing methods

- It is produced aiming at easy using, maintenance and assembly

OPTION: Custom paint color



Technical Data	RHP-500	RHP-1000	RHP-1500	RHP-2000
Maximum Carrying Capacity Per Station (kg)	500	1000	2000	3000
Maximum Workpiece Clamping Diameter (L) (mm)	2000	D*	D*	D*
Maximum Workpiece Clamping Diameter (D) (mm)	L*	L*	L*	L*
Repeatability(mm)	1000	H*	H*	H*
Max Speed (rpm)	0.05	0.05	0.05	0.05



GANTRY TYPE ROBOT POSITIONERS

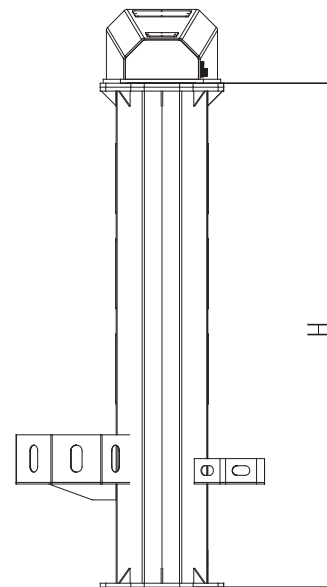
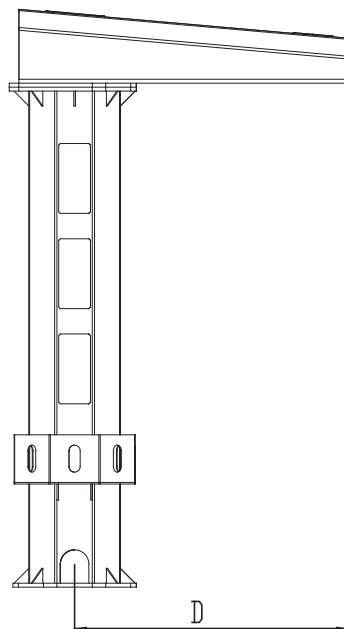
C FRAME



C- FRAME, fixed to the position of the robot relative to the workpiece. It is manufactured by being determined in special dimensions. this arm provides better access to the workpiece and helps to weld larger workpieces. makes it more efficient. The C-Frame is mounted directly on the floor or slider.

OPTIONS:

- Special paint color
- Adjustable robot base height



Technical Data	RCF-1000	RHP-2000	RCF-3000
Maximum Carrying Capacity (kg)	500	1000	2000
Maximum ROBOT Mounting Radius (mm)	2000	D*	D*
Maximum Workpiece Clamping Height (mm)	L*	L*	L*

PILLAR



- RAM- Pillar Gantry systems are structures used for medium and heavy duty applications, increasing the robot's reach and making it easier to access the workpiece.

- It can be used in special processes as double wire welding (TWIN TORCH), laser, plasma and cutting.

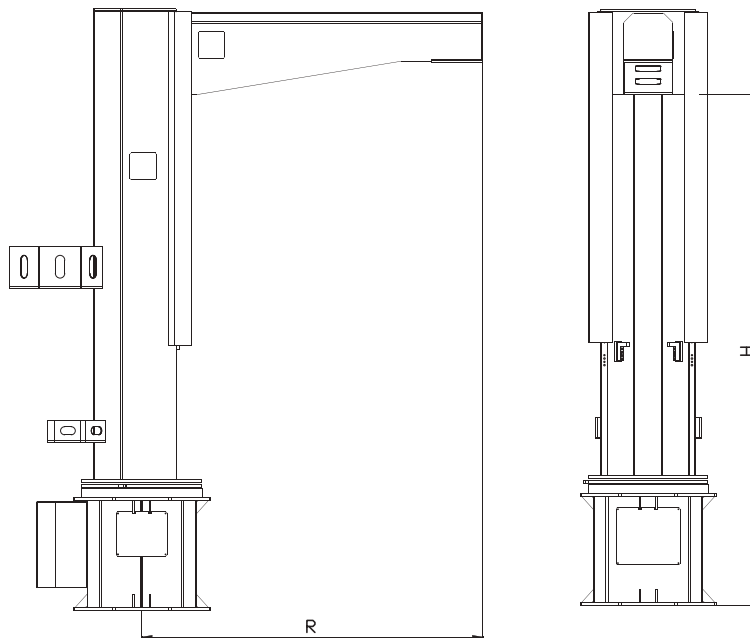
- It has low weight and high strength welded steel structure. It can be used as a common component with other structures.

- It is unique designs in its field with its latest technology product range and Innovative manufacturing methods

- It is produced aiming at easy using, maintenance and assembly

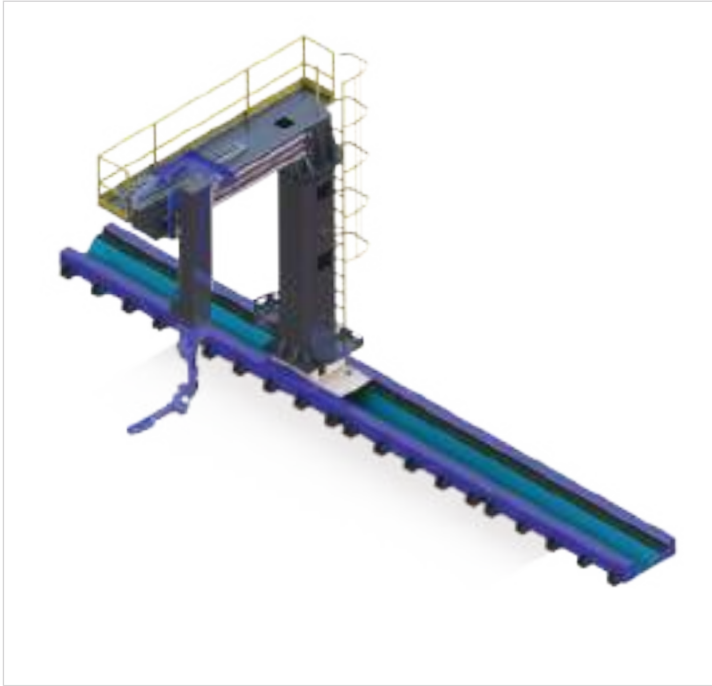
OPTIONS:

- Special paint color
- Slider can be added



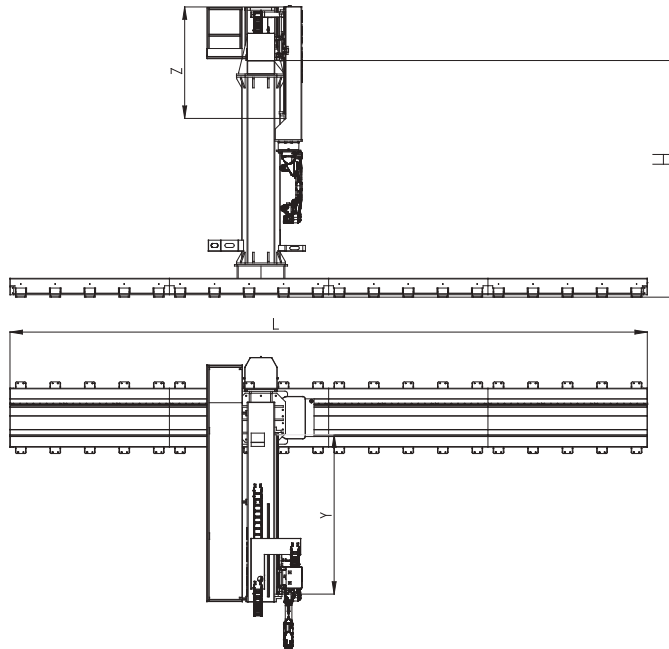
Technical Data	RGP-1000
Maximum Carrying Capacity (kg)	1000
Maximum ROBOT Mounting Radius (mm)	R*
Maximum Z Axis Height (mm)	H*
Maximum Y Axis Length (mm)	L-1000 mm

GANTRY



- RAM-Gantry Cartesian systems are structures used for medium and heavy duty applications, increasing the robot's reach and making it easier to access the workpiece.
- It can be used in special processes as double wire welding (TWIN TORCH), laser, plasma and cutting.
- Low weight and high strength It has welded steel construction. As a common component with other structures
- It is unique designs in its field with its latest technology product range and Innovative manufacturing methods
- It is produced aiming at easy using, maintenance and assembly

OPTION: Special paint color.



Technical Data	RG
Y Axis Travel Length (mm)	L*
X Axis Travel Length (mm)	Y*
Z Axis Travel Length (mm)	Z*
Repeatability(mm)	0.05



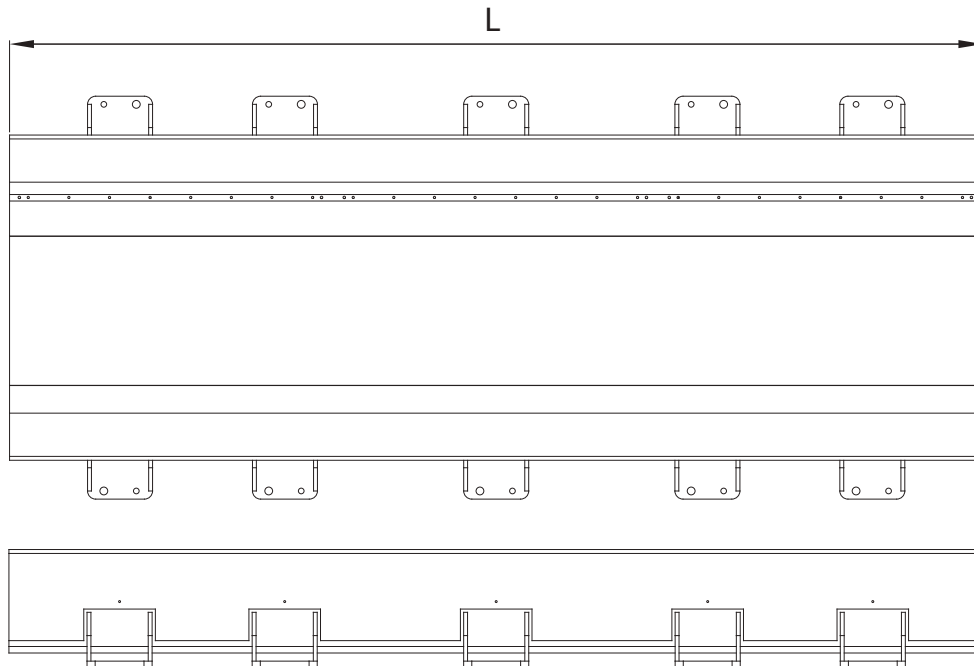
SLIDER

SLIDER



- Robotic slider systems are designed to move the robot on it horizontally to places it cannot reach and to ease the process. Suitable for MIG/MAG and TIG welding methods.

- It is especially used for welding large sized workpieces or in multi-cell welding processes.



Technical Data	RS
Standard Length (L) (mm)	3000 (extra *module can be added)
Position Repetition Accuracy (mm)	±0.5
Motion Length (stroke) (mm)	L*



OUR APPLICATIONS

ENERGY / GENERAL INDUSTRY





CONSTRUCTION MACHINERY INDUSTRY





HEAVY INDUSTRY SECTOR





RAIL SYSTEMS INDUSTRY





CONSTRUCTION MACHINE / GENERAL INDUSTRY





CONSTRUCTION MACHINE / GENERAL INDUSTRY



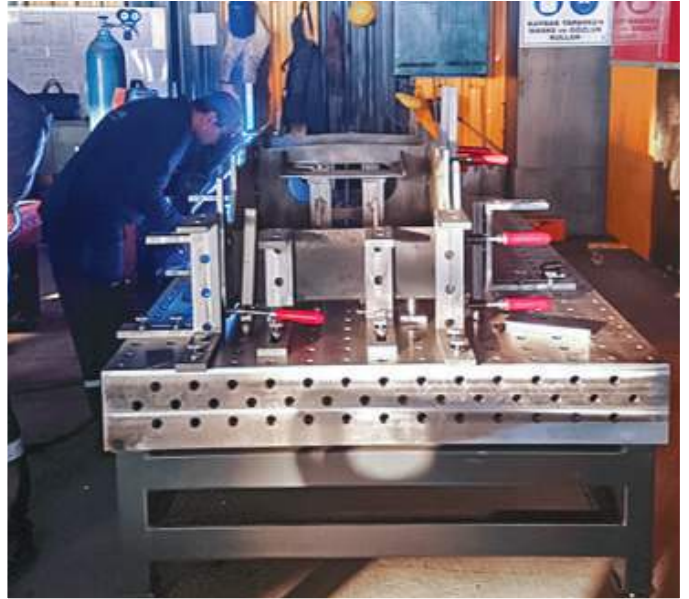


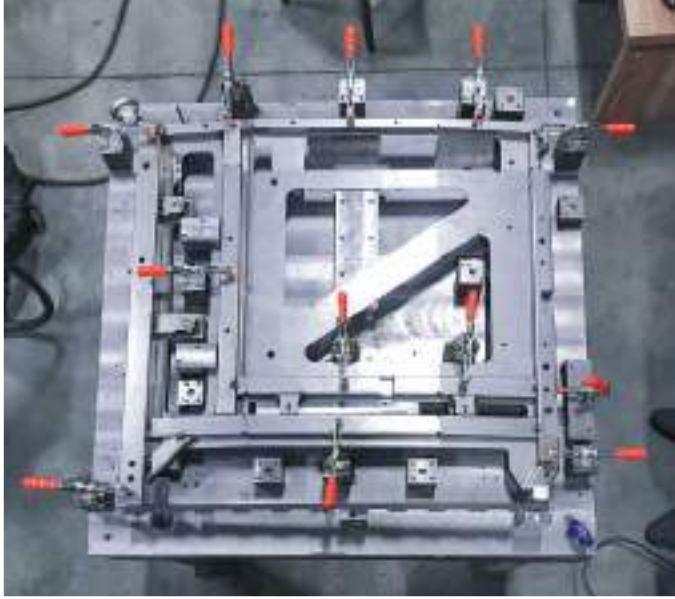
AUTOMOTIVE INDUSTRY





FIXTURE SYSTEMS







FOLLOWING THE PAST,
OUR EYES ARE ON THE FUTURE...



Address:

Fevzi Çakmak Mahallesi Asım Caddesi Atiker1 Sanayi Sitesi No:36/M
Karatay/KONYA

Phone:

+90 332 503 35 58
+90 332 503 35 59
+90 532 509 54 36

Fax:

+90 332 503 35 60

E-mail:

info@ramrobotics.com.tr

www.ramrobotics.com.tr