

KUTAVAR



Caution
Sharp point



KUTAVAR

Caution
Sharp point





About Us

KUTAVAR is a high precision, high performing, robust CNC plasma machine, designed to be simplistic and intuitive.

A British company with in-house design, manufacturing, and assembly.

Having been established for over two decades in the design and supply of CNC plasma cutting machines, KUTAVAR is at the forefront of delivering premium solutions to its market sector.

Our Team consists of highly skilled design and service engineers, located at our UK premises in Herefordshire.

Product innovation and the expansion in the range of machines is at the strategic forefront of the company, and to become the brand of choice in the profile cutting industry.





Design

KUTAVAR is designed to push the boundaries of the market sector it sits within, simply by introducing component design and tolerances that are unrivalled, only present in larger-scale machinery sectors.

KUTAVAR has been designed to micron (μm) tolerances, not millimetres. Components are precision machined from graded aluminium alloy tooling plate, guaranteeing the fundamental characteristics specified at the design stage. These being: Mechanical strength, corrosion resistance, and dimensional stability.

The KUTAVAR machine bed is applied with a powder coated surface, ensuring a durable and long-lasting coating, allowing it to perform in the most severe of environments. The machine gantry is surface anodised, allowing a high adhesion with the aluminium alloy without compromise to the dimensional tolerance of components.



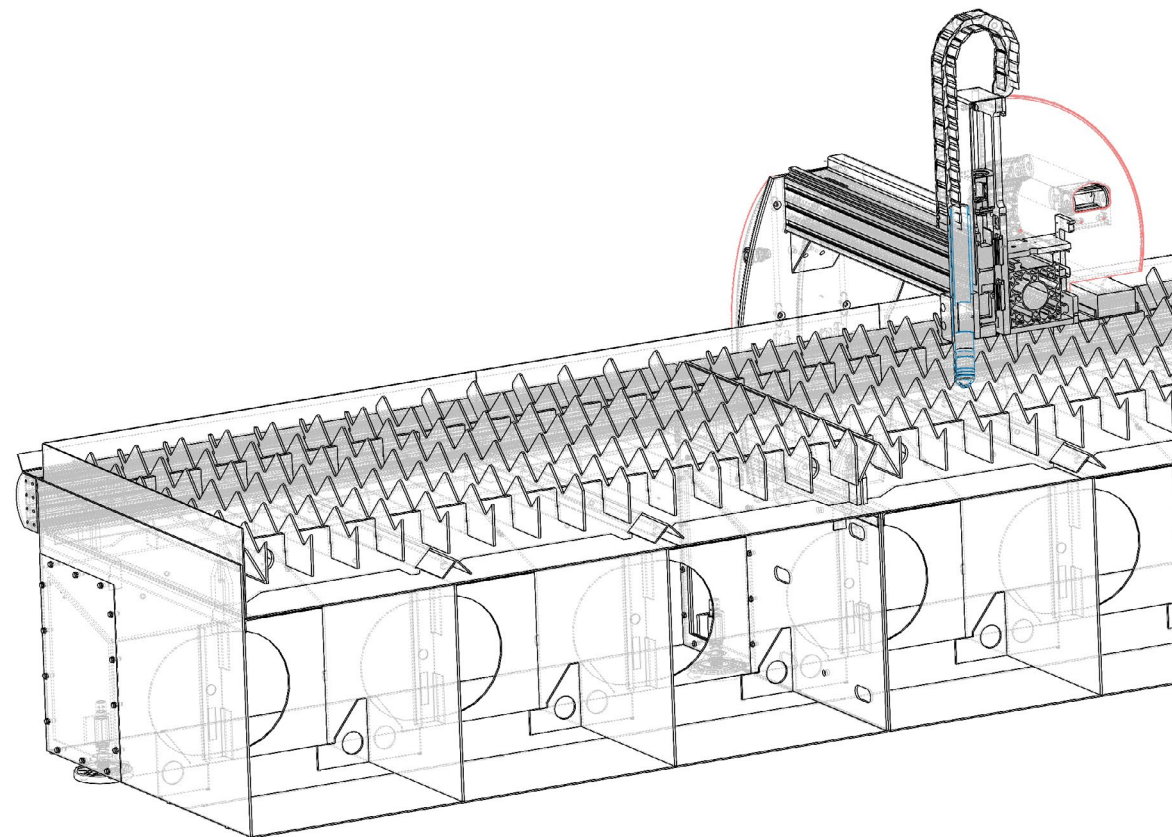
Performance at its core

Quality, repeatability, and precision are at the heart of every KUTAVAR machine.

When working to the Thermal cutting industry standard, ISO 9013:2017, alignment, stability and accuracy are critical to the machine's performance when consistent clean cut surface quality is expected.

The dimensions of a cut piece are expected to reflect those of the drawing. We test and measure cross sectional areas up to 4,000 mm, where results are within 100µm. Dimensional tolerances in each part work together to create repeatable performance in every machine.

Our precision engineered planetary gearboxes are positioned in a way that allows smooth movement, which is reflected in the quality of parts produced on KUTAVAR machines.



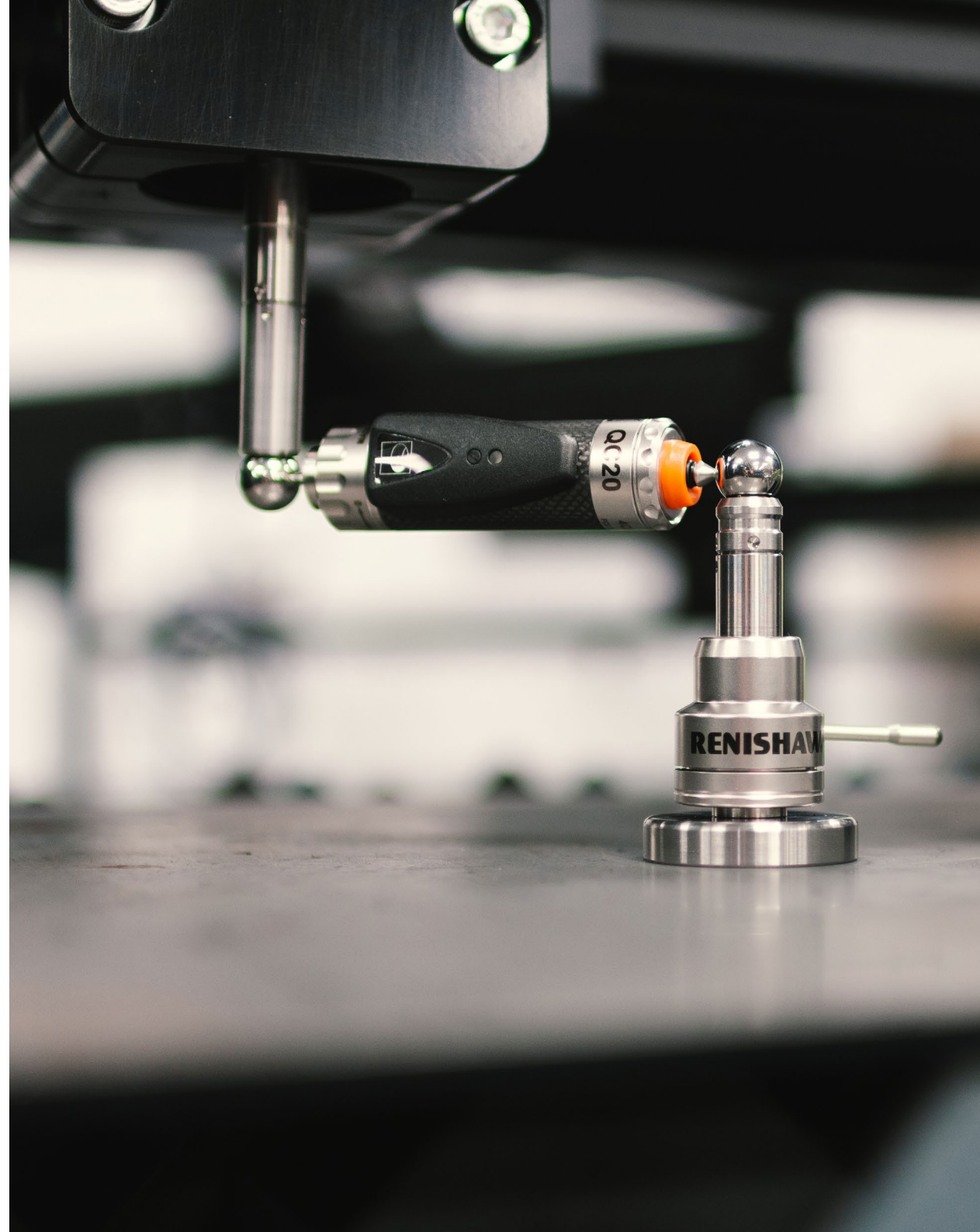


Assembly

Supplier quality assurance of outsourced manufactured components go through rigorous visual and dimensional inspection prior to being allocated as assembly stock.

Production staff are trained in line with standard instructions accompanied by visual aids. Using the poka-yoke process for assembly eliminates operational assembly mistakes and ensures right-first-time metrics for production build are 100%.

Every KUTAVAR machine undergoes precision testing using the Renishaw® ballbar. This allows us to calculate the machine's volumetric error, which ensures repeatable accuracy on all CNC plasma machines that are dispatched from our factory.



Our Machines

KUTAVAR CNC plasma machines are available in two variants: Water or Zoned Extraction. All machines are highly configurable, designed for use with both air and high-definition plasma.

The machine's motion control and software incorporate CAD, CAM, CNC, with a pre-loaded library of standard flexi-shapes and profile nesting capabilities. Motor options available include NEMA 34 hybrid stepper and servo motors. Imports of DXF, G-code/NC files, and silhouette image imports are also a standard feature. Customers will find the KUTAVAR software simple and intuitive to use, realising its powerful and seemingly endless capabilities.

KUTAVAR has the capability of incorporating *oxy-fuel gas cutting in addition to plasma, allowing cut thicknesses of up to 100 mm in mild steel. This is made possible by the heavy-duty build design, with permissible payloads of up to 5,000 Kg.

* (Zoned Extraction machines only).

A machine that is robustly engineered and built, capable of consistently performing in the most challenging of working environments, whilst producing guaranteed positional accuracy.

KUTAVAR machine sizes can be found on page 11. In the event that a customer wishes to specify a machine outside of the standard sizes produced, please speak with us as we may be able to offer a bespoke solution.



Motors and Gearboxes

Configurable with NEMA 34 high torque stepper motors or, NEMA 34 servo motors with encoder, combined with high precision planetary gearboxes.



Integrated Software

Our software incorporates CAD, CAM, and CNC, with a pre-loaded library of standard flexi-shapes and profile nesting capabilities.



Weight Capacity

Design of build constructed for heavy-duty use, with a permissible weight load capacity of up to 5,000 Kg.



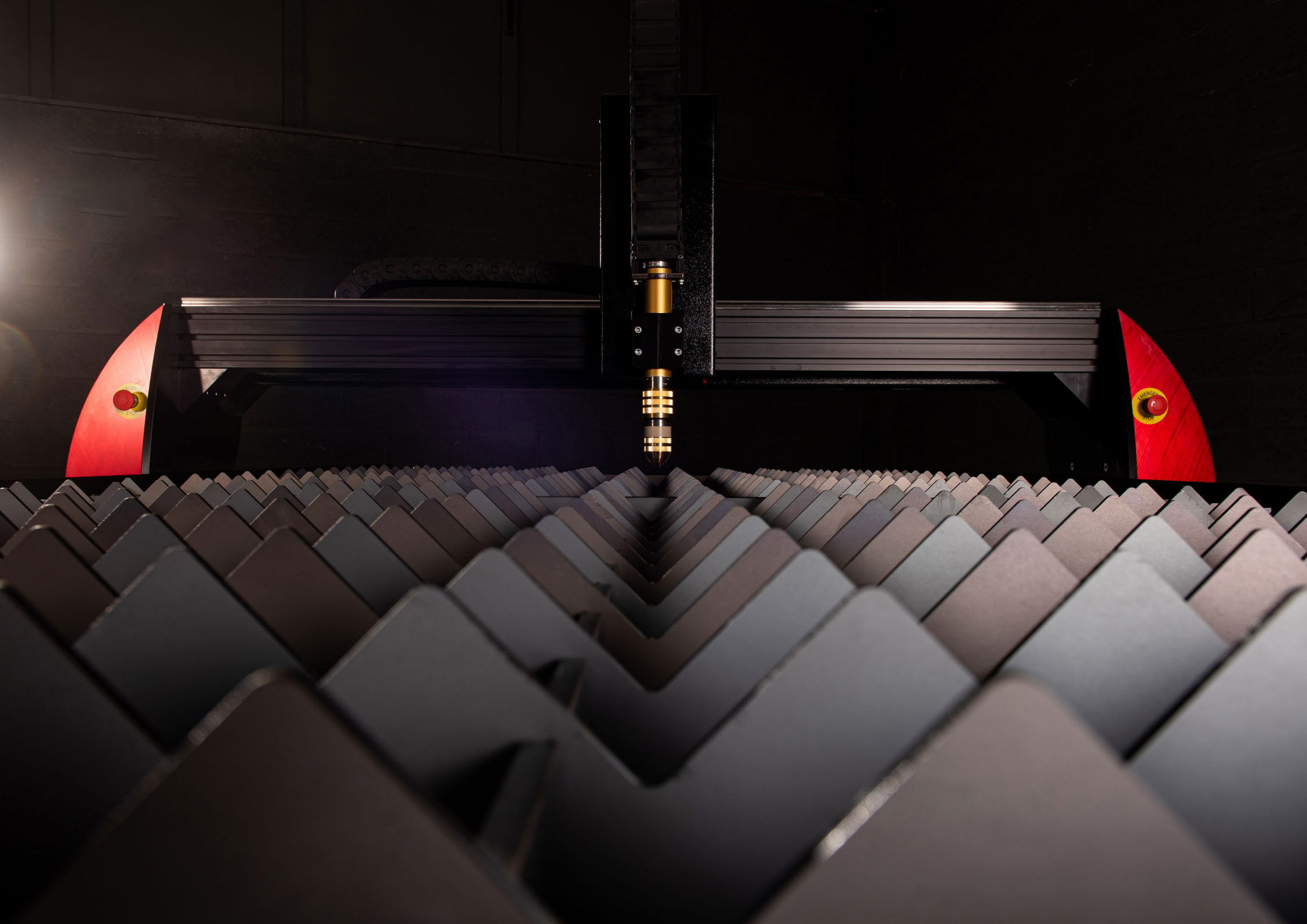
Manufacturer's Warranty

A comprehensive 5-year manufacturer's warranty.

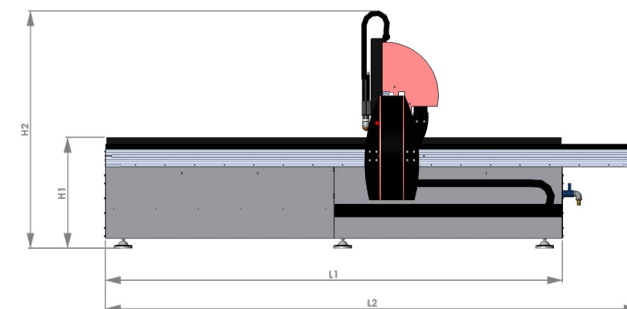
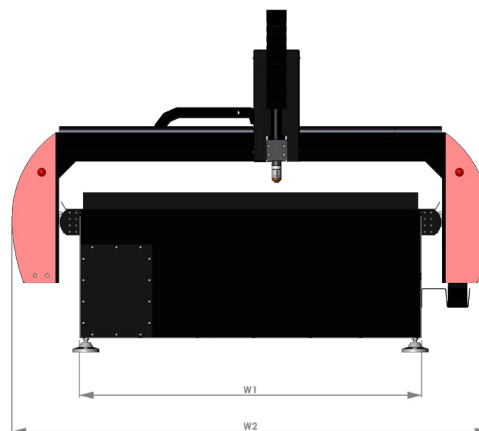
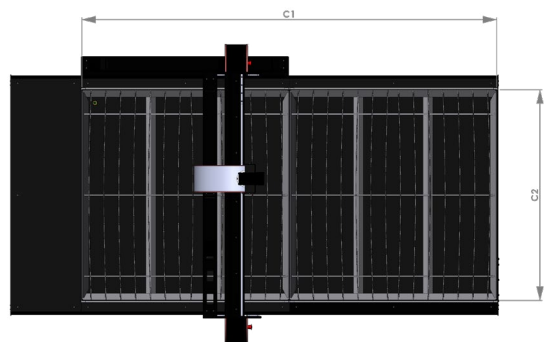


KUTAVAR





KUTAVAR Dimensions



Reference	1250 x 1250	2500 x 1250	3000 x 1500	4000 x 2000
W1	1350	1350	1600	2100
W2	1980	1980	2230	2730
L1	1545	2575	3090	4120
L2	2065	3095	3610	4640
H1	750	750	750	750
H2	1600	1600	1600	1600
C1	1250	2500	3000	4000
C2	1250	1250	1500	2000

**All dimensions are in mm*



Our Software

Simple yet powerful

If you have little to no CAD experience, KUTAVAR software makes it simple for you. In its 2D CAD suite you can quickly create your own shape, import DXF or DWG files, silhouette images, or choose from the library of pre-drawn shapes.

From design to cutting

From modifying drawings, nesting of multiple parts, and creating bolt-ready holes. KUTAVAR makes it a seamless process from design to manufacture.

Fully integrated solution

With integrated plasma and oxyfuel charts including Hypertherm, Kjellberg and other popular brands, it takes the guesswork out of important cutting parameters like feedrate, kerf, cut height and arc voltage.

Advanced controls

Advanced controls make cutting easier and more efficient. The true shape nesting feature can duplicate and automatically best place parts to maximise sheet yield, allowing you to increase your profitability.

Cost calculation

Easily calculate the price of each part in the nesting feature by inputting your material KG price.





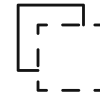
CAD Features

- ✓ Shape Library
- ✓ Fix Drawing Tool
- ✓ Bridge Entities Tool
- ✓ Shape Welding Tool
- ✓ Measuring Tool
- ✓ Part Shading
- ✓ Free Form Stretching
- ✓ Free Form Manipulation
- ✓ Layer Support
- ✓ Centreline Image Support
- ✓ Silhouette Image Support
- ✓ Multi-Layer Colour Image Import
- ✓ DXF/DWG Import
- ✓ Arc Fitting



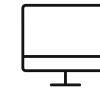
CAM Features

- ✓ TrueShape Nesting
- ✓ Automatic Kerf Compensation
- ✓ Import of parts from external files
- ✓ Grid Nesting
- ✓ Corner Looping
- ✓ Tabbng
- ✓ Overburn Support
- ✓ Advanced Leading Lead Out Editing
- ✓ Animated 3D Cutting Simulation
- ✓ Cut Sequencing
- ✓ Operation Sequencing
- ✓ Cutout or Part Mode
- ✓ Advanced Small Hole Processing
- ✓ Customisable Post Processor
- ✓ Multiple Tabs
- ✓ Drag, Delete, Rotate, Copy Parts on the Nest
- ✓ Multi-sheet and Fill Sheet True Shape Nesting
- ✓ Graphical Editing of Leading Lead Out Location
- ✓ Custom Views of Kerf Width, Cut Direction, Toolpath, Rapids and Part Geometry



CNC Features

- ✓ Automatic Lead-In on Restart
- ✓ Dynamic THC on/off
- ✓ Jump to Line
- ✓ Dry Run
- ✓ Momentary Run
- ✓ Run File Forward and Backwards
- ✓ Kerf Crossing Detection
- ✓ Progress Meter
- ✓ Move to Point in Viewport
- ✓ Rip Cutting
- ✓ THC Performance History Chart
- ✓ Smart Touch Off



Application Features

- ✓ Plasma
- ✓ Oxyfuel
- ✓ Marker and Plasma Marking
- ✓ DXF Export
- ✓ Part Shading
- ✓ Commonly Used Plate List
- ✓ 3D Cutting Simulation
- ✓ Customisable Cut Charts
- ✓ Customisable Default Lead In, Lead Out Strategies
- ✓ Material Database (Cut Chart Support)
- ✓ Printing Support for Part Number Labels, Nest Report and Nest
- ✓ Advanced Text including True Type Font Support Without Exploding and Curved Text Around any Shape



Training

The KUTAVAR training programme is aimed at delivering the essential knowledge to Operators, so that they can become competent in their use of the machine.

Our experienced engineers and trainers easily demonstrate the parameters of the machine, ensuring optimised cutting performance. This can be tailored in several ways to suit your individual needs; -

- Customer on-site training
- KUTAVAR in-house training facilities
- Partnering agent facilities
- Remotely via online platforms.

Additional training can be easily accessible by contacting our technical aftercare support team or, by visiting the helpful support resources which can be found on our website.



A man in a white shirt is seen from the side, working at a computer workstation. He is looking at a large monitor displaying a software interface. There are other monitors in the background, and the setting appears to be an office or control room.

Aftercare

Each KUTAVAR machine comes with a comprehensive five-year manufacturer's warranty.

We are committed to offering a total aftercare service through our highly experienced and knowledgeable support team, with the ability to offer a quick and dependable service to assist with queries and general maintenance.

Our Service Team are here to help, giving you access to technical expertise and common-sense advice.

Through continued investment in the training and development of our engineers, we aim to help maintain the reliability and life of your equipment.







EMERGENCY
STOP

220025
HYPERTHERM
18013 EH

Contact Us



Phone: +44 (0)1432 805700

Email: sales@kutavar.com

Website: www.kutavar.com



1 Beacon Road,
Hereford, Herefordshire
HR2 6JF
United Kingdom



KUTAVAR

Redefining the design and manufacture of CNC plasma cutting machines

Phone: +44 (0)1432 805700

Email: sales@kutavar.com

Website: www.kutavar.com



British

© KUTAVAR UK | 2023 - V2