



Specialists in **3D profiling**

Having a hard time
finding craftsmen for your
miscellaneous steel?

**Your
solution
is here!**

 **RoboRail**

Finding the work is usually not the problem. But where to find the right people to fabricate it all? Good craftsmen are expensive and hard to find. Manual measurement is time consuming and error prone. On top of that all the work seems to come at the same time. What if you don't have to worry about that anymore?



Robotic

Plasma processing for the
miscellaneous fabricator

RoboRail

The all-in-one robotic plasma cutting machine with a compact footprint

The image shows a RoboRail plasma cutting machine. It features a blue and orange frame with a grey cutting table. A blue protective cell is visible on the right side. A blue line connects the text 'Compact cell with protected cutting environment' to the protective cell. Another blue line connects the text 'Robotic precision' to the cutting mechanism.

Compact cell with protected cutting environment

Robotic precision

The new RoboRail will give you the more robust, reliable and flexible solution you have always been looking for. HGG is the world leader in 3D profiling technology and we have developed the new RoboRail in partnership with Automated Layout Technology, LLC. to process a vast range of material quickly and accurately to length: cuts, copes, holes, layout marking and more. Handrail pipe, stringer channels, box tubes and angles are processed with a state-of-the-art Stäubli robot and reliable Hypertherm plasma system.











Stable heavy
duty machine base

RoboRail

Capability to handle everything

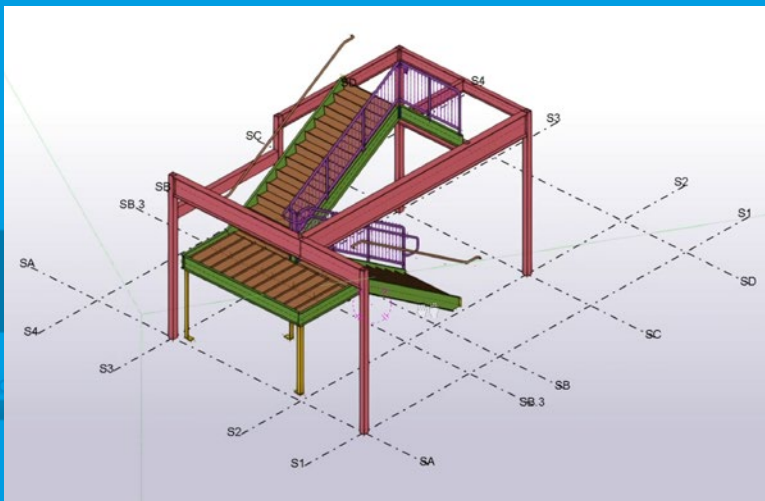
Let the RoboRail handle the smaller, more time-consuming work and let your more expensive machines do what they do best!



RoboRail Specifications								
> metric (mm)	25x25 200x200	DN 25 DN 250	50x38 280x95	25x25 200x200	10x50 20x280	3 20	7.315/ 12.500	400 Kg/ 550 Kg
> imperial (inch)	1x1 8x8	NPS 1 NPS 10	C 3x4.1 C 12x30	1x1 8x8	3/8x2 3/4x11	1/8 3/4	24' / 41'	882 Lbs/ 1213 Lbs

- * Infeed length/weight limited to 7.315mm/400Kg 24ft/882 Lbs
Outfeed length is limited to 2.500mm/8ft
- ** Max outside diameter is 274mm
- *** Minimal flatbar thickness is 10mm

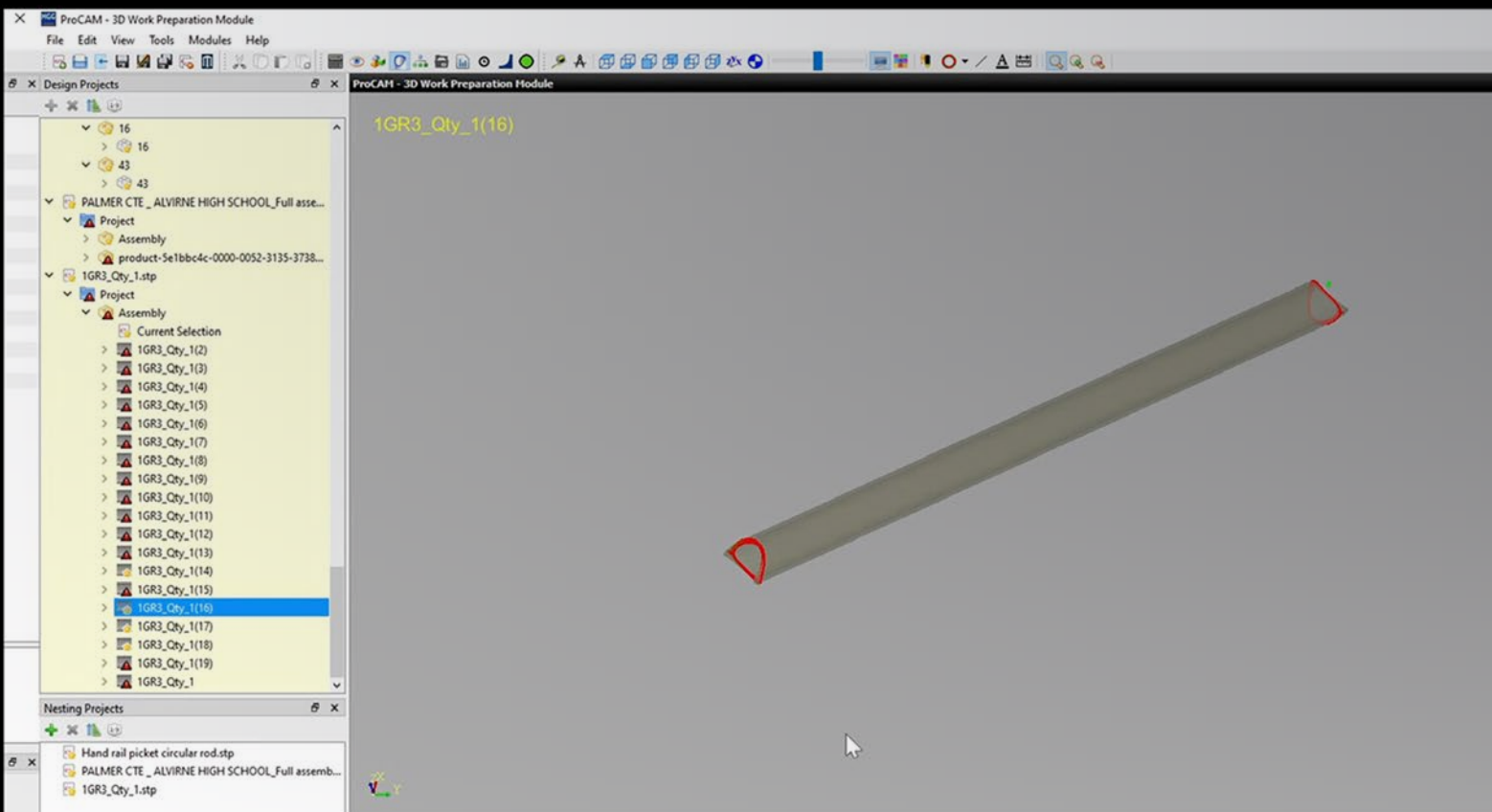
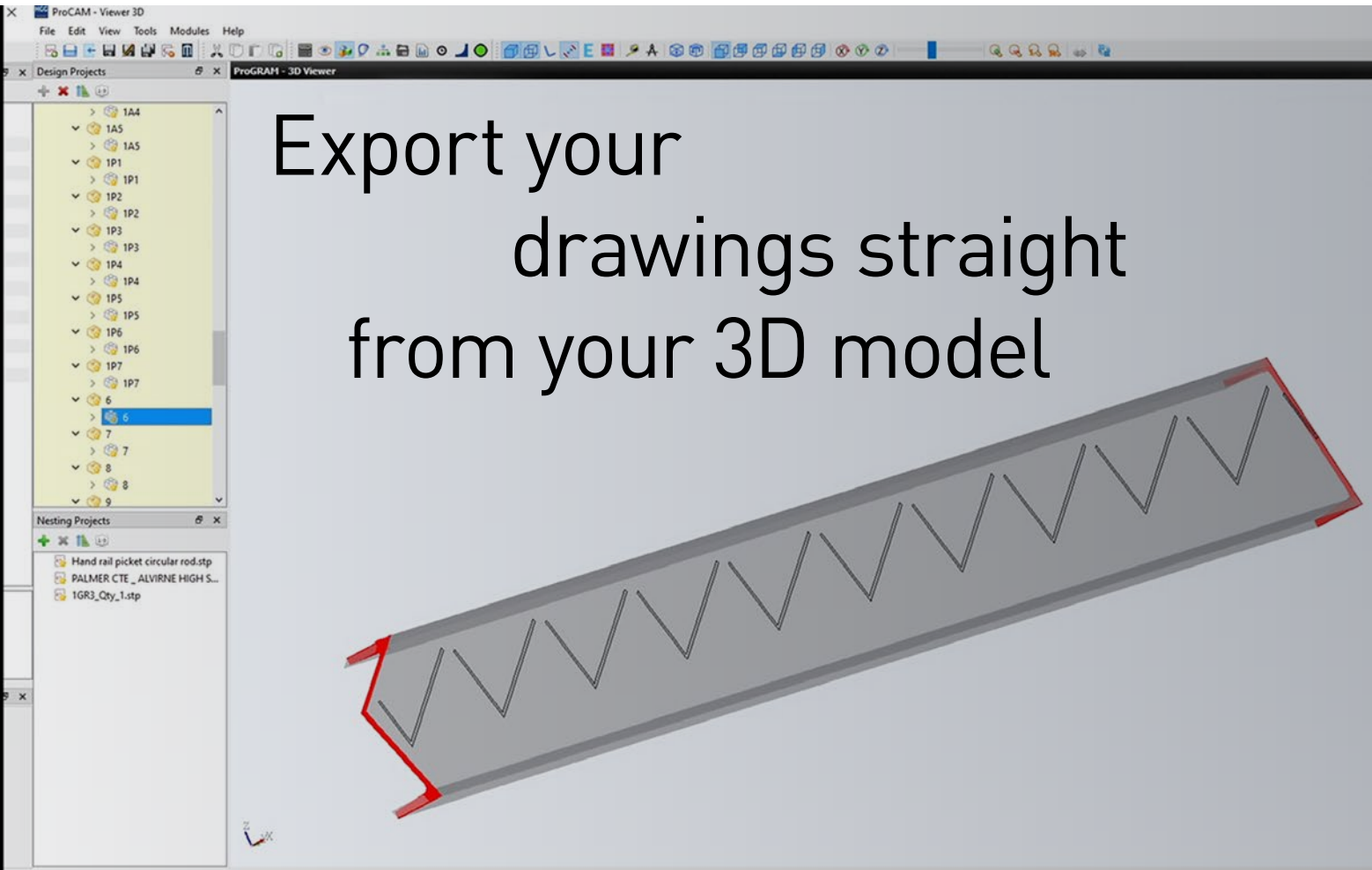
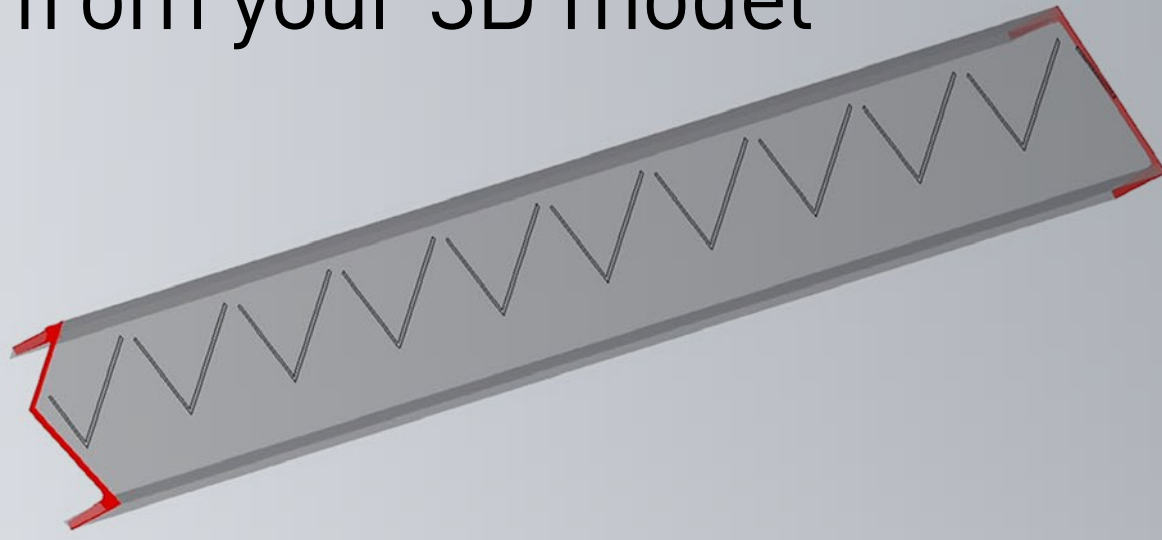
The RoboRail will let you work with DSTV and STEP-files directly from CAD-systems like SDS/2, Tekla Structures, SolidWorks and Inventor. This will drastically reduce processing time and eliminates human error. With the RoboRail each and every piece can be different, and the machine will continue to process by reading files directly from your detailing. You can sit back and let the interface of the RoboRail guide you through the process.



Name	Value
Name	a100
Profile	Angle bar
Standard	Custom sta
Profile name	L50/6
Web length	50.0000 mm
Web thickn...	6.0000 mm
Flange length	50.0000 mm
Flange thic...	6.0000 mm
Radius	7.0000 mm
Amount	1
Hold	false
Group	
Destination	
Material	A36
Material type	Not set
Length	3,143.3000 m
Heat number	X
Maximum length	3,145.3000 m

Name	Value
Name	C2119
Profile	Square tub
Standard	Custom st
Profile name	HSSX5X5
Height	127.0000 m
Width	127.0000 m
Wall thickn...	7.9400 mm
Radius	7.9400 mm
Amount	1
Hold	false
Group	
Destination	
Material	A500-GR.B
Material type	Not set
Length	3,835.4000 m
Heat number	X
Maximum length	3,835.4000 m

Export your drawings straight from your 3D model



Log
[14:36:01] STEP Store: 1GR3_Qty_1.stp - Project - Assembly - 1GR3_Qty_1(12): profile type 'Other' was detected.
[14:36:01] STEP Store: 1GR3_Qty_1.stp - Project - Assembly - 1GR3_Qty_1(13): profile type 'Other' was detected.
[14:36:01] STEP Store: 1GR3_Qty_1.stp - Project - Assembly - 1GR3_Qty_1(14): profile type 'Flat' was detected.
[14:36:01] STEP Store: 1GR3_Qty_1.stp - Project - Assembly - 1GR3_Qty_1(15): profile type 'Other' was detected.
[14:36:01] STEP Store: 1GR3_Qty_1.stp - Project - Assembly - 1GR3_Qty_1(16): profile type 'Tube' was detected.
[14:36:01] STEP Store: 1GR3_Qty_1.stp - Project - Assembly - 1GR3_Qty_1(17): profile type 'Tube' was detected.
[14:36:01] STEP Store: 1GR3_Qty_1.stp - Project - Assembly - 1GR3_Qty_1(18): profile type 'Tube' was detected.
[14:36:01] STEP Store: 1GR3_Qty_1.stp - Project - Assembly - 1GR3_Qty_1(19): profile type 'Other' was detected.



MANUAL 



CHANNEL



 **32**
MIN!

 RoboRail



CHANNEL



 **4,5**
MIN!

MANUAL 



PIPE



 **5**
MIN!

 RoboRail



PIPE



 **30**
SEC!



“We now process all of our pipe, tubes, channels, and angles on a single system. It is truly an all-in-one system for processing all of our parts for stairs and

rails. In the past we relied on three machines which was less efficient for material handling and consumed valuable fabrication space. With the RoboRail, it is one stop processing!”

Steve Chasse, SL Chasse Steel



If you have a manual shop and you invest in this machine with one operator, it will easily do the work of eight people. Manual layout for cut-to-length notching for example generally takes 1 hour and 20 minutes. RoboRail can do the job in approximately 5 minutes.



RoboRail

Allows you to set up
your fabrication as
a lean manufacturer

RoboRail

Installed- and commissioned
in two days



Your leap in automation has never been so accessible. Designed to be installed- and commissioned in no time, the machine will be cutting steel on its first day. Dependency on the skills of the operator is no longer a liability for your business. The RoboRail is developed to guide the operator, instead of the other way around.





specialists
in 3D profiling
www.hgg-group.com

Roborail

Roborail

HGG International BV
Zuidrak 2
1771 SW Wieringerwerf
The Netherlands

CONTACT US FOR MORE INFORMATION

☎ (+31) 227 50 40 30
✉ info@hgg-group.com
🌐 hgg-group.com

FOLLOW HGG



HGG INDIA, AFRICA & MIDDLE EAST
T: (+91) 770 2055 222 / (+971) 55 8077 643
E: HGGME@HGG-GROUP.COM

HGG AMERICAS
T: 833 444 4872 / (832) 684 2529
E: AMERICAS@HGG-GROUP.COM

HGG ASIA PACIFIC
T: (+86) 136 8163 2558
E: ASIAPACIFIC@HGG-GROUP.COM

HGG CHINA
T: (+86) 136 8163 2558
E: HGGCHINA@HGG-GROUP.COM

HGG EUROPE
T: (+31) 227 50 40 30
E: SALES@HGG-GROUP.COM