



WELCOME TO OUR WORLD, THE WORLD OF PUMPS



SWISS  MADE

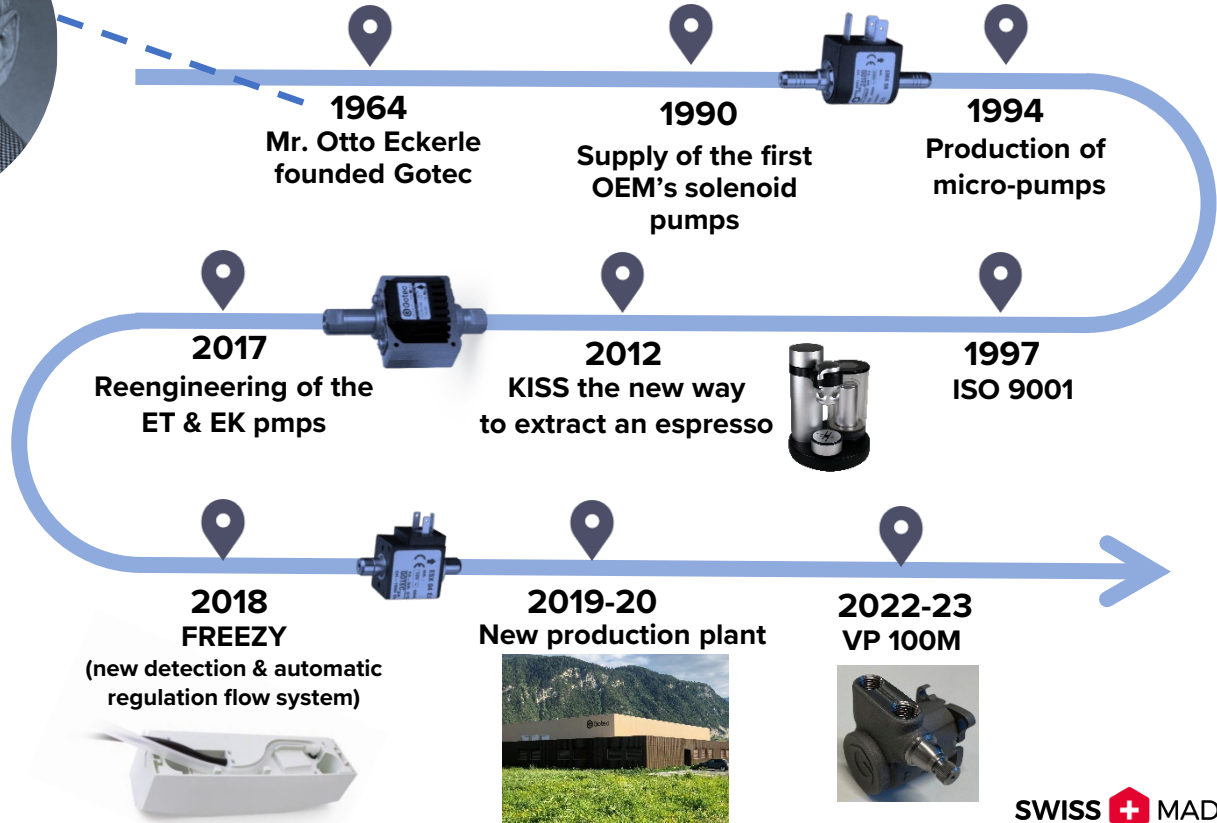
- + Gotec has been founded in 1964 by Mr. Otto Eckerle
- + The contraction of **Geräte Otto Eckerle** (Geräte means devices)
- + Developing and producing solenoid pumps as well as condensate pumps, oil lifters and rotary vane pumps
- + Worldwide known as high quality pumps
- + Specialized in developing customized pumps (today more than 2'500 models)
- + Producing and 100% function test its own assembly line.



Gotec



First product produced by Gotec (1964)



Eckerle Family



Gotec



👤 = 54



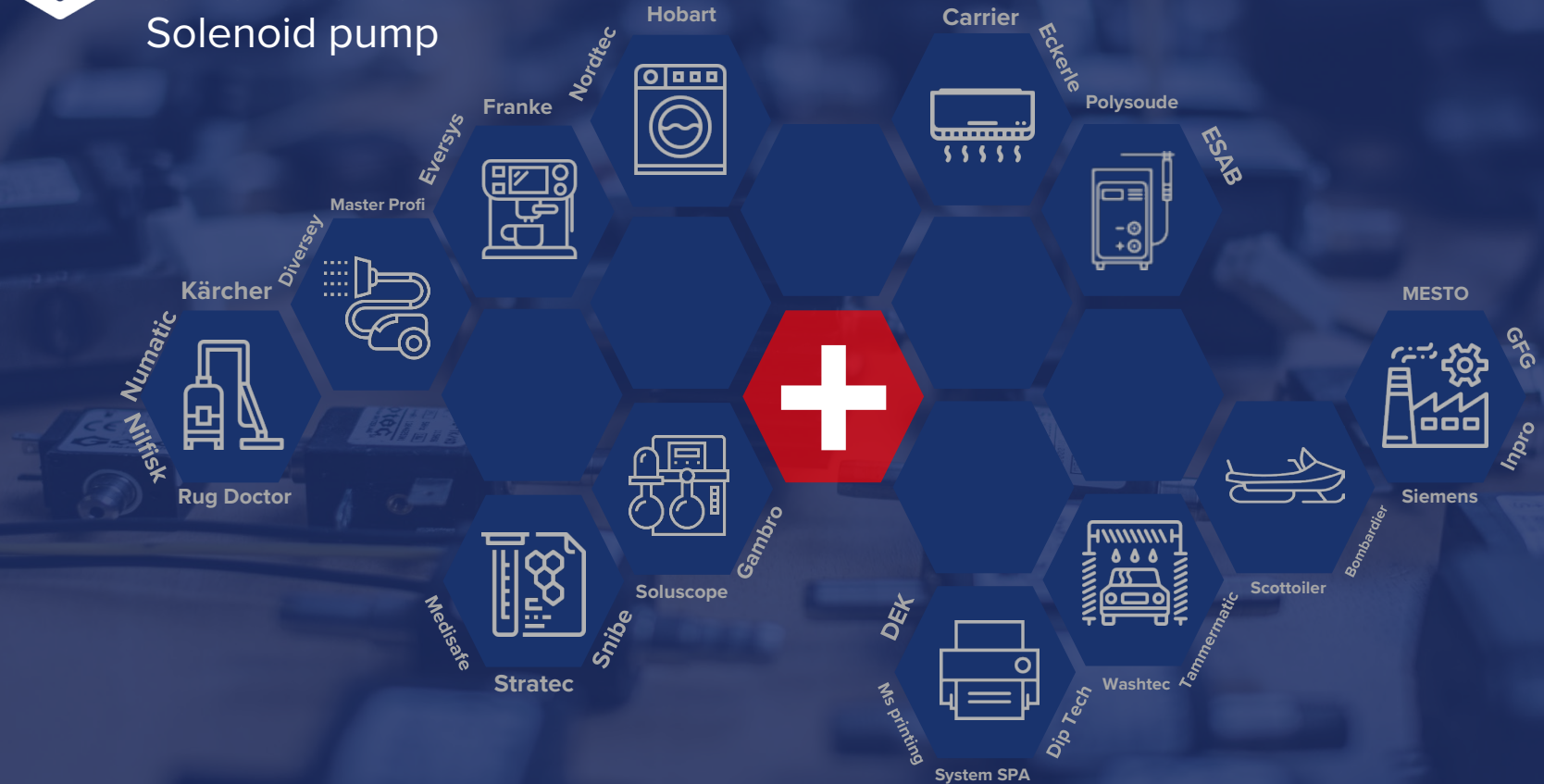
ECKERLE
HYDRAULIC DIVISION



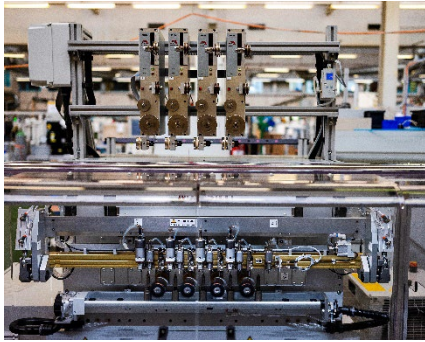
+
eckerle
Industrie-Elektronik GmbH



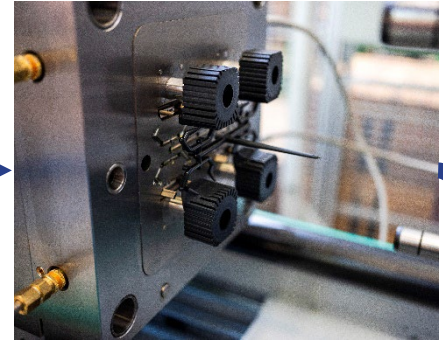
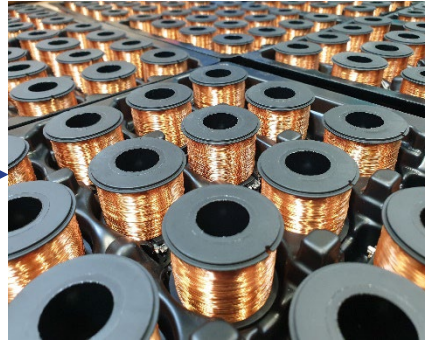
👤 = 190







Winding



Molding



100% quality test



Assembly



Machining

- Automatic winding machine



- Molding machine

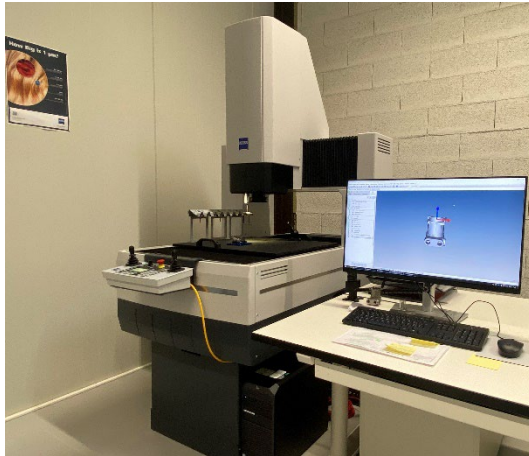


- CNC machine & Robodrill



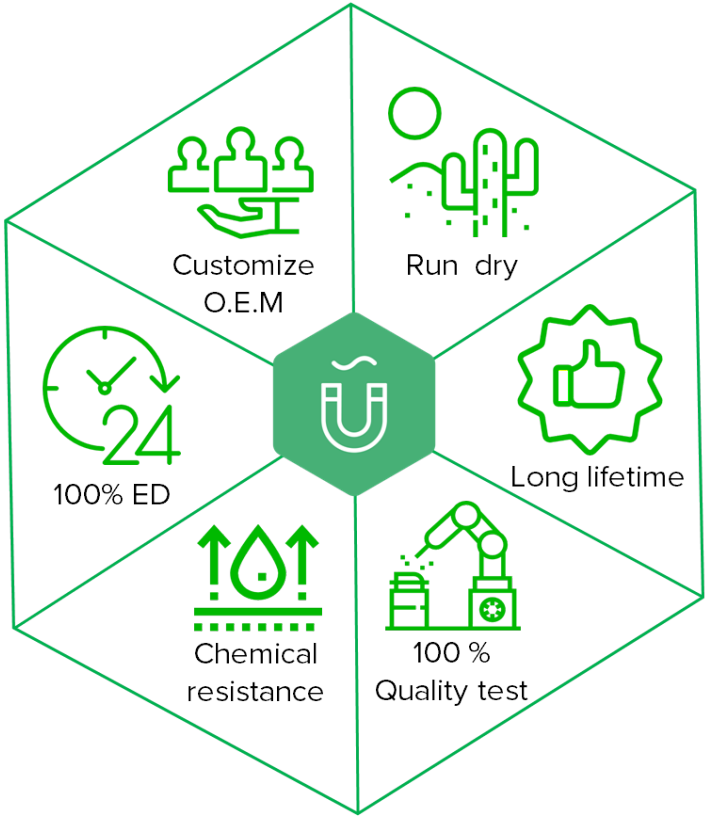
- Assembly line & function tester



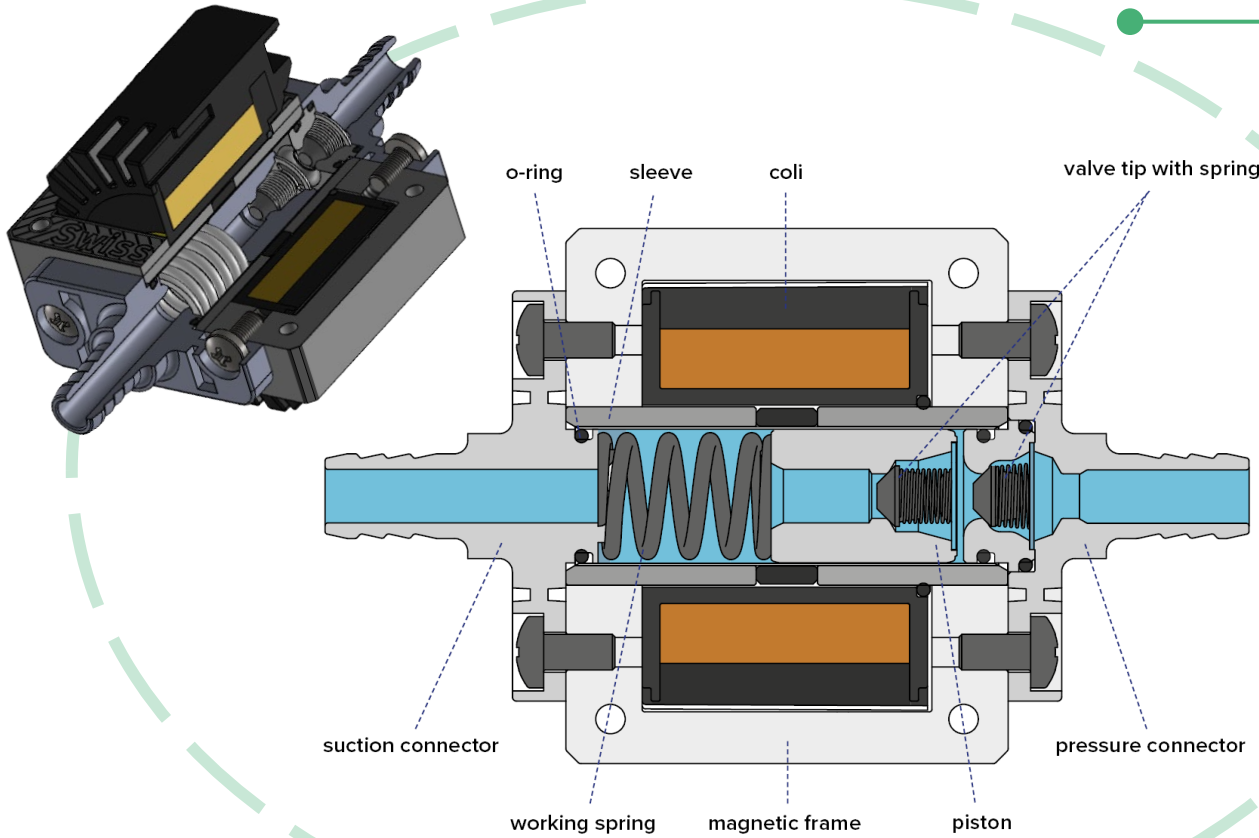


Solenoid pumps

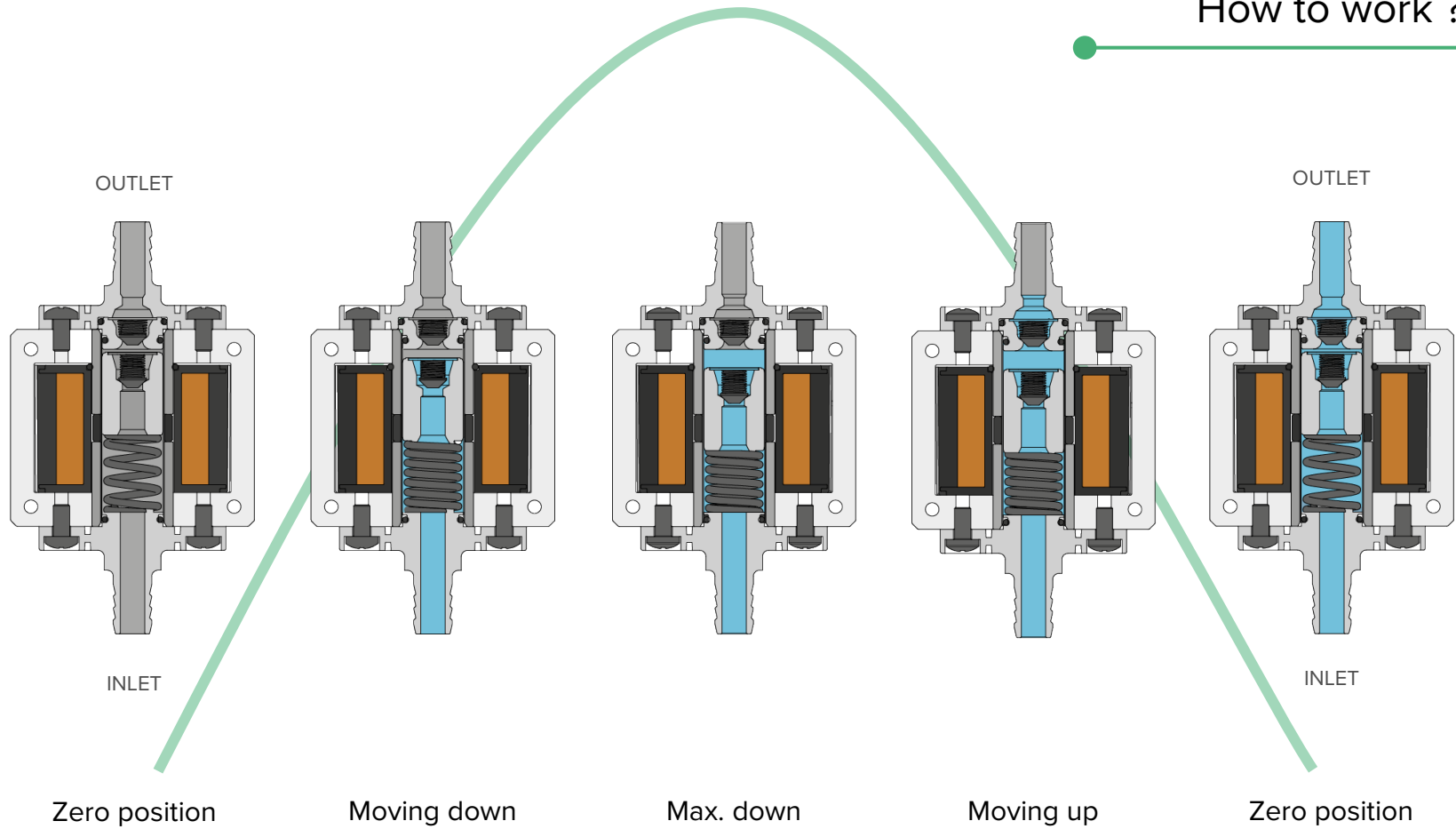




- Customized pump (OEM pump)
- Run dry
- Long lifetime
- 100% Quality test on our assembly line
- Chemical resistance materials
- 100% ED (20° with water)
- Self-priming



How to work ?



ET version



- Flow up to 130 l/h (34 gal/h)
- Pressure up to 20 bar (290 psi)
- Suction height up to 7 m (23ft)
- Insulation class H (180°C – 356°F)
- Protection class IP54
- Class 2 (double insulated) – no need to ground
- 100% Quality test on our assembly line
- Chemical resistance materials (pH2 to pH14)
- 100% ED (with water at 20°C – 68°F)
- CE, UL, CSA, REACH, ROHS

EK version



- Flow up to 120 l/h (32 gal/h)
- Pressure up to 14 bar (203 psi)
- Suction height up to 3 m (10ft)
- Insulation class H (180°C – 356°F)
- Protection class IP54
- Class 2 (double insulated) – no need to ground
- 100% Quality test on our assembly line
- Chemical resistance materials (pH2 to pH14)
- 100% ED (with water at 20°C – 68°F)
- CE, UL, CSA, REACH, ROHS

EM version



Stainless steel version



Plastic version (POM or PPS)

- Flow up to 25 l/h (6.6 gal/h)
- Pressure up to 2.5 bar (36 psi)
- Suction height up to 3 m (10ft)
- Insulation class H (180°C /356°F) or F (155°C /311°F)
- Protection class IP54
- Class 1
- 100% Quality test on our assembly line
- Chemical resistance materials (pH2 to pH14)
- 100% ED (with water at 20°C – 68°F)
- CE, UL, CSA, REACH, ROHS

ED version

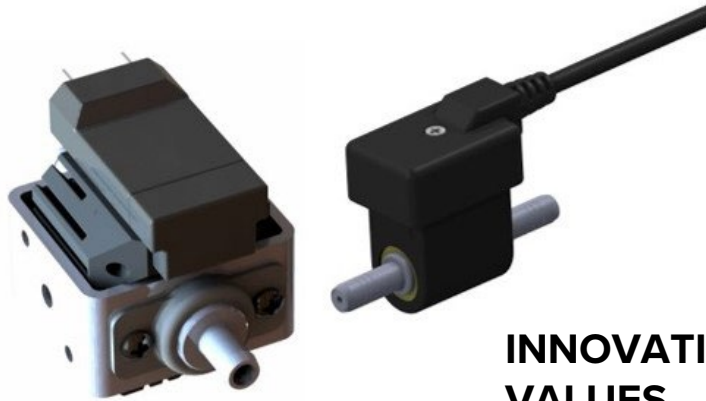


- Flow up to 7 l/h (1.8 gal/h)
- Pressure up to 0.3 bar (4.3 psi)
- Suction height up to 1 m (3.3ft)
- Insulation class H (180°C /356°F) or F (155°C /311°F)
- Protection class IP54
- Class 1
- 100% Quality test on our assembly line
- 100% ED (with water at 20°C – 68°F)
- CE, UL, CSA, REACH, ROHS

ES version



- Flow up to 5 l/h (1.3 gal/h)
- Pressure up to 0.3 bar (4.3 psi)
- Suction height up to 0.3 m (1ft)
- Insulation class F (155°C – 311°F)
- Protection class IP54
- Class 1
- 100% Quality test on our assembly line
- Dosing pump for oil
- 100% ED (with oil at 20°C – 68°F)
- CE, UL, CSA, REACH, ROHS



INNOVATION AND QUALITY ARE OUR KEY VALUES

Gotec is the first manufacturer of pumps offering a solenoid pump with an integrated DC driver to run the pump with the 24VDC

The pump can be controlled with an input power of 10 to 30 VDC to control the performances of the solenoid pump

The insulation class is the same as the solenoid pump : IP54

You control the solenoid pump like a motor pump

From 1985 to 2020
TS series



From 2021 to
VP series



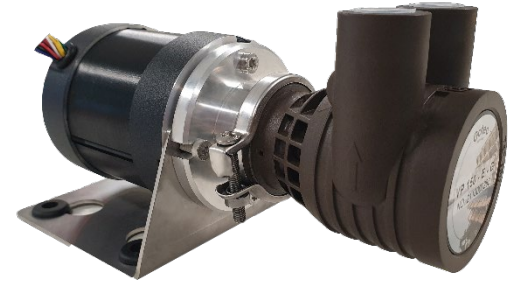
- Flow rate : up to 450 l/h at 1500 rpm (up to 650l/h with 24VDC motor)
- Bypass integrated (maximum pressure setting: 16 bars)
- Noise level: <52dBA – one of the most silent
- Sealing material: EPDM or FKM
- Connectors : G 3/8” or NPT 3/8”
- Motors : 230V asynchronous single phase, 120V asynchronous single phase and 24VDC brushless
- Certifications : UL, CSA, NSF-169 (with EPDM), EC 1935/2004
EC 2023/2006
- Materials of housing : PPS like the old TS (compatible with a wide range of fluids – very good mechanical resistance)
- Lifetime test: >3000 hours (30”ON/30”OFF) at 10 bars

230V – 120W – asynchronous
single phase



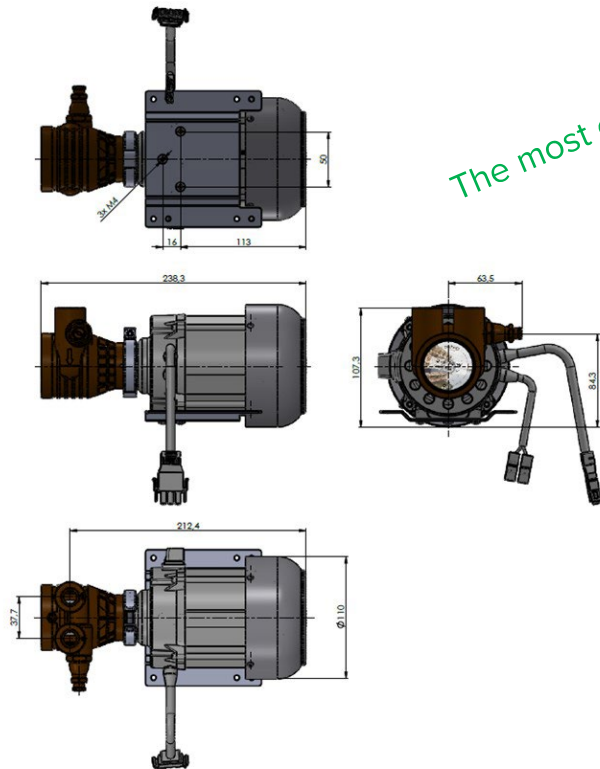
Performances:
up to 450l/h up to 9bars

24VDC – 378W – brushless



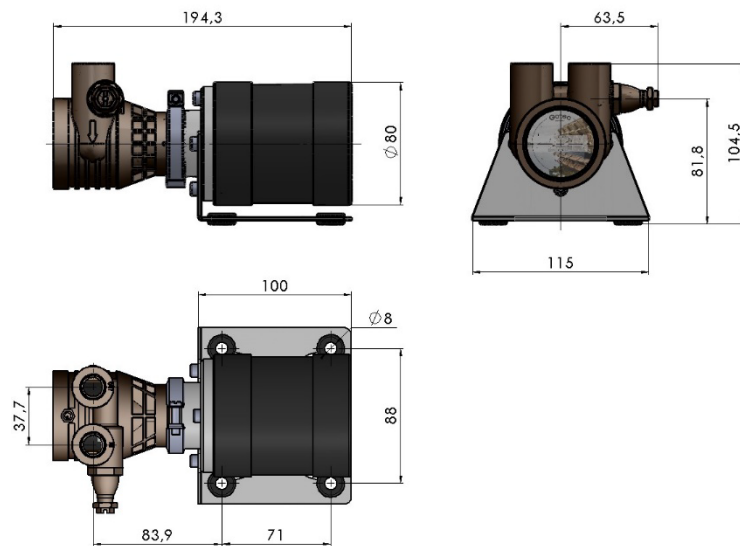
Performances:
up to 650l/h and up to 13bars

230V – 120W – asynchronous
single phase



The most compact systems on the market

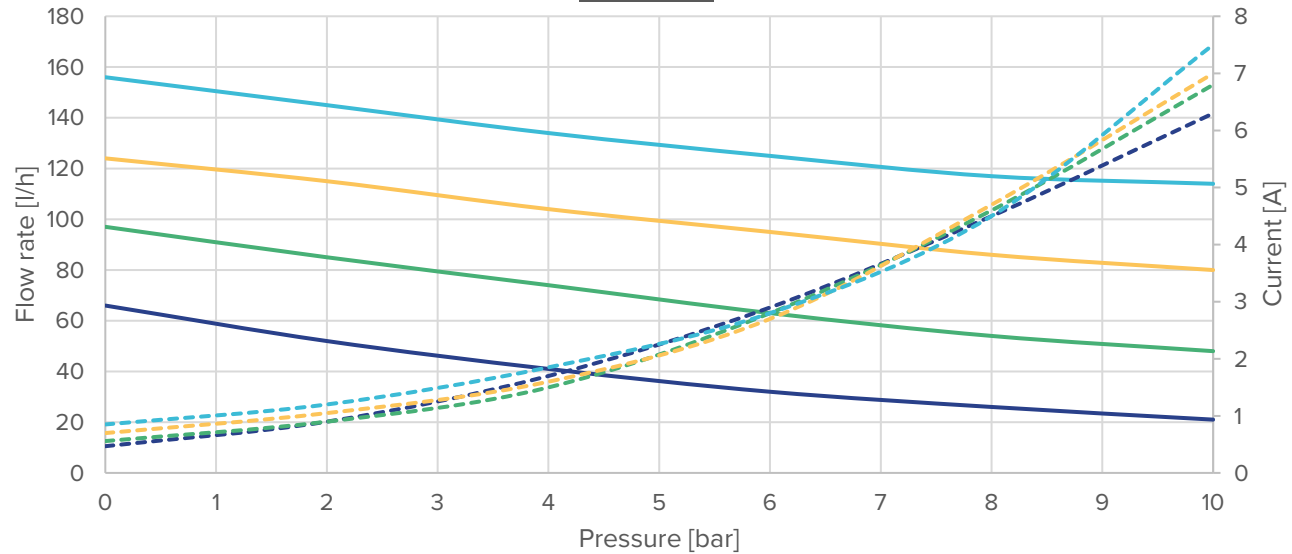
24VDC – 378W – brushless



- Flowrate : up to 120 l/h at 2000 rpm
- Bypass integrated (maximum pressure setting: 10 bars)
- Noise level: <52dBA – one of the most silent
- Sealings : EPDM, FKM and FFKM
- Connectors : G 1/4"
- Motors : 24VDC brushless (90W 6 poles)
- Certifications : NSF-169 (with EPDM), EC 1935/2004
EC 2023/2006
- Materials of housing : stainless steel
- Lifetime test: >3000 hours (30"ON/30"OFF) at 7 bars

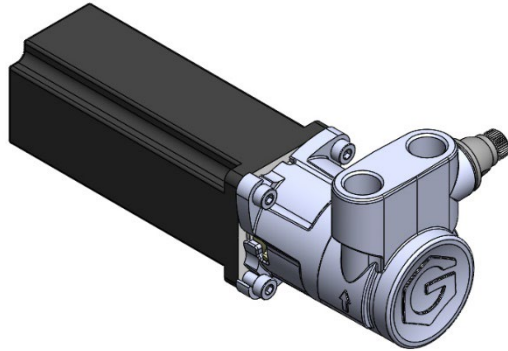


VP100M



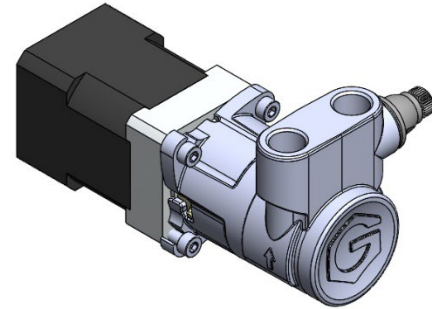
- 1000 RPM — 1500 RPM — 2000 RPM — 2500 RPM
- - - Current @ 1000 RPM - - - Current @ 1500 RPM - - - Current @ 2000 RPM - - - Current @ 2500 RPM

VP 100M with 24VDC brushless
motor - 90W – 6 poles

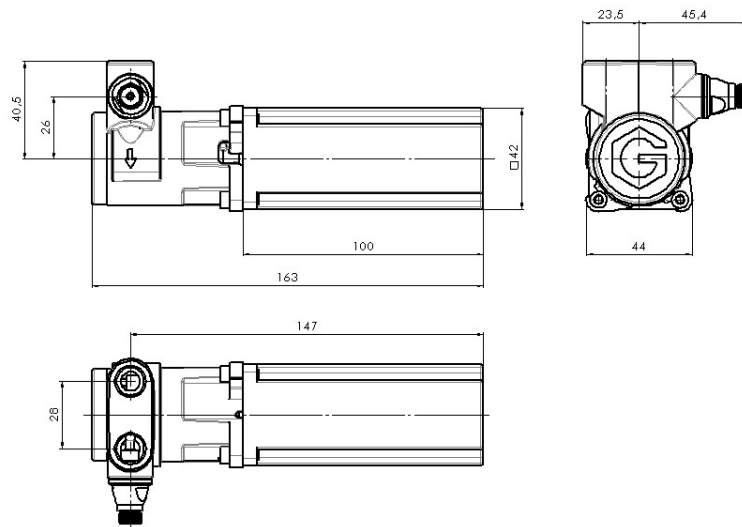


Performances:
up to 120 l/h up to 10 bars

Other motors will follow



24VDC – 90W
brushless





New development

PPS sleeve

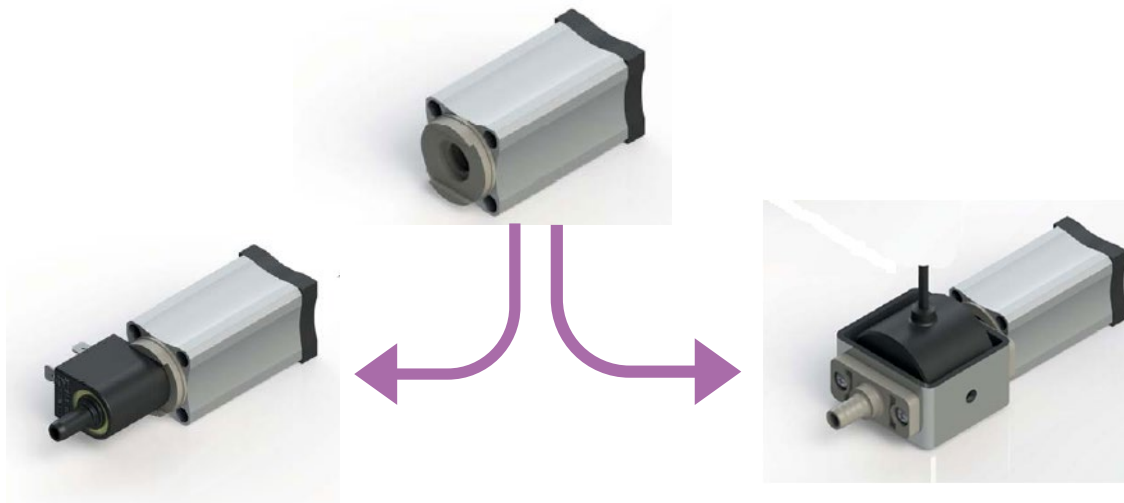


PPS sleeve Ø15

- Compatibility with large type of chemical liquid
- No need of coating on the piston
- High resistance for dry run
- Technology has been approved for cleaning industry
- High resistance against rust
- Avoid sticking effect



New development



Mounted with EM pump

Power supply : 230V /110V
Flow rate : 0 to 20 l/h
Pressure : 0 to 2.5 bar
Heating temperature : 0 to 100°C
Wet and dry steam
Puissance : 50 to 1200 W



Mounted with EK pump

Power supply :230V /110V
Flow rate : 0 to 90 l/h
Pressure : 0 to 20 bar
Heating temperature : 0 to 100°C
Wet and dry steam
Puissance : 50 to 1200 W





Thank you



SWISS  MADE

Gotec